

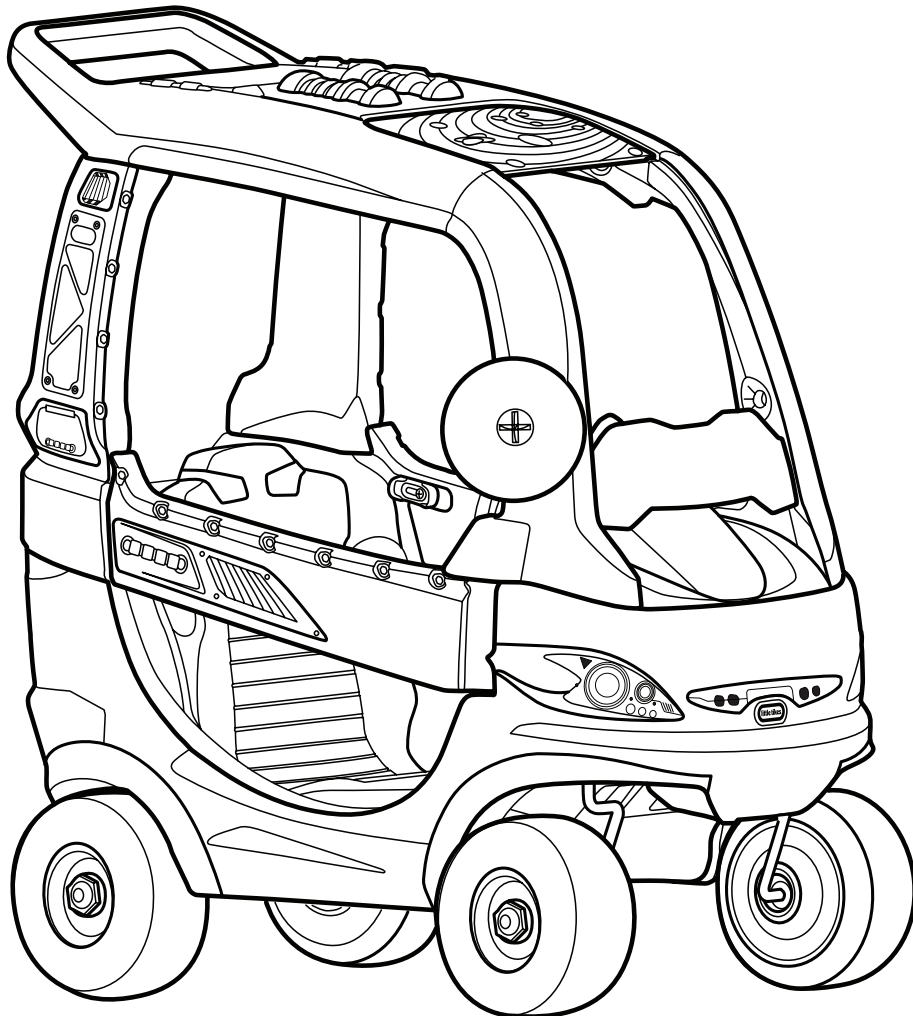
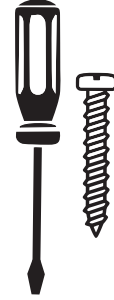


# Adventure Rover™

## ASSEMBLY INSTRUCTIONS

#638961M8

Adult assembly required. Approx. assembly time: 50 min.



**Thank you for choosing the Little Tikes® Adventure Rover™. We strive to provide a durable, easy-to-assemble toy that's made to last, giving your child years of imaginative, engaging fun!**

## **Really important information you should know!**

- Read through all the instructions first.
- Clear a flat surface to lay out all the materials so everything is close at hand.
- You will need a Phillips head screwdriver (power driver, recommended, not included) hammer and safety glasses (not included) to assemble the Adventure Rover™.
  - When installing screws, be sure screws are tightened snugly, but do NOT OVERTIGHTEN.
- Be sure to locate your decals and set aside. Decals are easier to apply when the part is laying flat, so you may want to apply the decals before assembly.
- The parts are listed below - each part is identified with a letter in RED for easy reference.
- Illustrations are for reference only. Styles may vary from actual contents.
- **If you have any questions, we're here to help. Give our customer service team a call at 1-800- 321-0183.**

### **WARNINGS!**

#### **Adult Assembly Required**

- Keep these instructions for future reference.
- Prior to assembly, this package contains small parts: hardware which is a choking hazard and may contain sharp edges and sharp points. Keep away from children until assembled.
- Ride-on toys should not be used near swimming pools, on or near steps, hills, roadways, or inclines.
- Shoes must be worn at all times.
- Only one rider at a time.
- Maximum weight limit: 50 lbs. (23 kg)
- This product is intended for use by children ages over 1 1/2 - 5 years.
- Adult supervision required. Do not leave children unattended.
- This product is intended for outdoor domestic family use only.
- Protect your eyes. Always wear safety glasses when using a hammer.
- When temperatures fall below 0°F/-18°C, outdoor use of this product is not recommended. In extreme cold, plastic materials lose resilience and may become brittle and crack upon impact. Store product in a warmer, protected place.

#### **DISPOSAL**

Disassemble and dispose of equipment in such a manner that no hazardous conditions such as, but not limited to, small parts and sharp edges exist at the time equipment is discarded.

### **WARNINGS!**

- This product contains a Button or Coin Cell Battery. A swallowed Button or Coin Cell Battery can cause internal chemical burns in as little as two hours and lead to death. Dispose of used batteries immediately. Keep new and used batteries away from children. If you think batteries might have been swallowed or placed inside any part of the body, seek immediate medical attention.

#### **BATTERY SAFETY INFORMATION:**

- Keep these instructions for future reference.
- Replace with 2 "LR44" button cell batteries (not included).
- The voltage of a fully-charged, rechargeable battery is often lower than that of a fresh alkaline battery. Therefore, it is recommended that alkaline batteries be used instead of rechargeable batteries for best performance and longer play time.

- Install batteries with the correct polarity (+ and -).
- To avoid battery leakage:
  1. Follow the toy and battery manufacturer's installation instructions.
  2. Do not mix old and new batteries.
  3. Do not mix standard (carbon-zinc), alkaline or rechargeable batteries. Do not mix different brands of batteries. Only batteries of the same or equivalent type as recommended are to be used.
  4. When toy is not used for an extended period of time, remove batteries to prevent possible leakage and damage to the unit.
  5. Remove dead or exhausted batteries from product.
  6. Dispose of dead batteries properly; do not bury. Do not dispose of batteries in fire as they may leak or explode.
- Make sure cover is properly installed on unit at all times.
- Do not attempt to recharge non-rechargeable batteries.
- Rechargeable batteries are to be removed from the toy before recharging.
- Charging of rechargeable batteries should be done only by an adult.
- The supply terminals are not to be short circuited.

NOTE: If the unit stops working or doesn't work as it should, remove the batteries for a few minutes and then re-insert them. If there is still a problem, install new batteries.


### FCC COMPLIANCE

NOTE: This equipment has been tested and found to comply with the limits for a Class B digital device, pursuant to Part 15 of the FCC Rules. These limits are designed to provide reasonable protection against harmful interference in a residential installation. This equipment generates, uses and can radiate radio frequency energy and, if not installed and used in accordance with the instructions, may cause harmful interference to radio communications. However, there is no guarantee that interference will not occur in a particular installation. If this equipment does cause harmful interference to radio or television reception, which can be determined by turning the equipment off and on, the user is encouraged to try to correct the interference by one or more of the following measures:

- Reorient or relocate the receiving antenna.
- Increase the separation between the equipment and receiver.
- Connect the equipment into an outlet on a circuit different from that to which the receiver is connected.
- Consult the dealer or an experienced radio/TV technician for help.

This device complies with Part 15 of the FCC Rules. Operation is subject to the following two conditions: (1) This device may not cause harmful interference, and (2) this device must accept any interference received, including interference that may cause undesired operation.

Caution: Modifications not authorized by the manufacturer may void users authority to operate this device. This Class B digital apparatus complies with Canadian ICES-003.



'Let's care for the environment!'  
The wheeled bin symbol indicates that the product must not be disposed of with other household waste. Please use designated collection points or recycling facilities when disposing of the item. Do not treat old batteries as household waste. Take them to a designated recycling facility.

© The Little Tikes Company, an MGA Entertainment company. LITTLETIKES® is a trademark of Little Tikes in the U.S. and other countries. All logos, names, characters, likenesses, images, slogans, and packaging appearance are the property of Little Tikes. Please keep this address and packaging for reference since it contains important information. Contents, including specifications and colors, may vary from photos depicted on package. Instructions included. Please remove all packaging including tags, ties & tacking stitches before giving this product to a child.

#### LIMITED WARRANTY

The Little Tikes Company makes fun, high quality toys. We warrant to the original purchaser that this product is free of defects in materials or workmanship for one year\* from the date of purchase (dated sales receipt is required for proof of purchase). At the sole election of The Little Tikes Company, the only remedies available under this warranty will be the replacement of the defective part or replacement of the product. This warranty is valid only if the product has been assembled and maintained per the instructions. This warranty does not cover abuse, accident, cosmetic issues such as fading or scratches from normal wear, or any other cause not arising from defects in material and workmanship.\*The warranty period is three (3) months for daycare or commercial purchasers.

**U.S.A and Canada:** For warranty service or replacement part information, please visit our website at [www.littletikes.com](http://www.littletikes.com), call 1-800-321-0183 or write to: Consumer Service, The Little Tikes Company, 2180 Barlow Road, Hudson OH 44236, U.S.A. Some replacement parts may be available for purchase after warranty expires—contact us for details.

**Outside U.S.A and Canada:** Contact place of purchase for warranty service. This warranty gives you specific legal rights, and you may also have other rights, which vary from country/state to country/state. Some countries/states do not allow the exclusion or limitation of incidental or consequential damages, so the above limitation or exclusion may not apply to you.



#### CUSTOMER SERVICE:

**United States:**  
[www.littletikes.com](http://www.littletikes.com)  
1-800-321-0183 Monday - Friday  
The Little Tikes Company  
2180 Barlow Road, Hudson, OH 44236

Printed in U.S.A. D.R.©2023 The Little Tikes Company

**United Kingdom:**  
[www.littletikes.co.uk](http://www.littletikes.co.uk)  
MGA Consumer Services  
P.O. Box 2040 Hockley, Essex, SS5 4BF  
Phone: 0 800 521 558  
E-mail: [support@Littletikesstore.co.uk](mailto:support@Littletikesstore.co.uk)

**Australia**  
[www.littletikes.com.au](http://www.littletikes.com.au)  
MGA Entertainment Australia PTY LTD.  
Suite 2.02, 32 Delhi Road, Macquarie Park NSW 2113, AU.  
Phone: 1 300 059 676  
Email: [au-sales@mga.com](mailto:au-sales@mga.com)



Adresses sur [quefairedemesdechets.fr](http://quefairedemesdechets.fr)



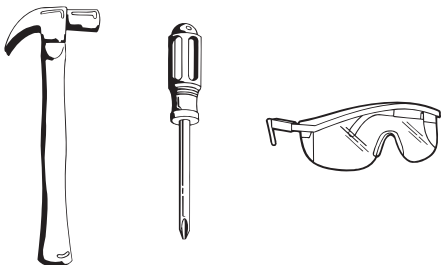
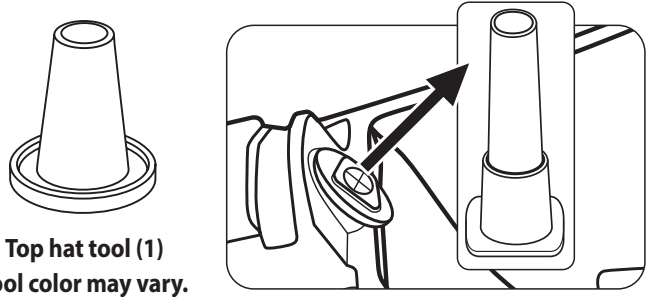
Ciascun componente è contrassegnato dal simbolo del materiale. Raccolta differenziata. Verifica le disposizioni del tuo Comune.

# A Few Things Before You Start!

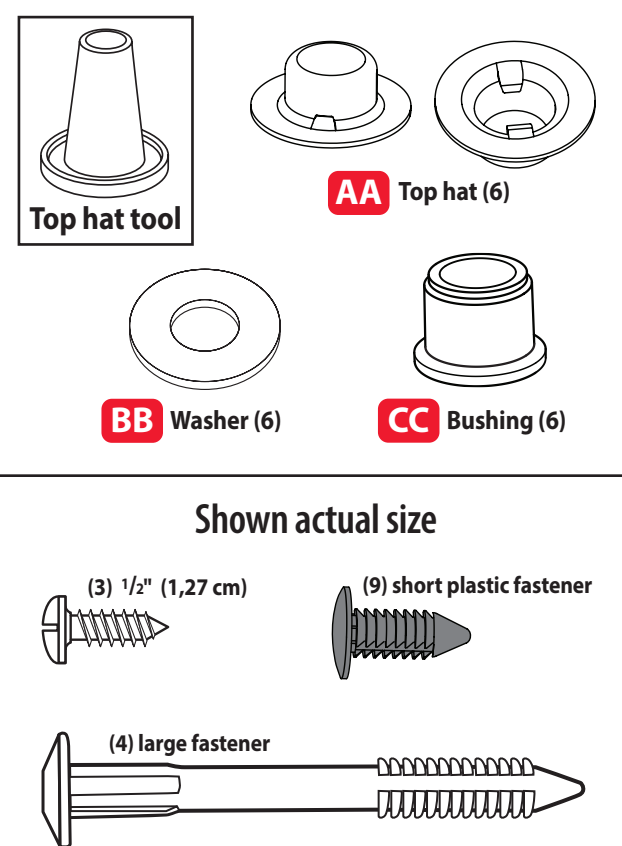
**!** BEFORE you begin assembly, make sure you have all the parts listed below.

**!** Some packages of hardware may have extra pieces.

**!** Questions? We're here to help. Little Tikes customer service team at 1-800-321-0183.

<p><b>Tools required (not included)</b></p> 	<p><b>Included in hardware pack (1). Discard after use.</b></p>  <p><b>Top hat tool (1)</b> Tool color may vary.</p> <p><b>Remove and set aside. You will need for assembly.</b></p>
---	--

## Hardware Guide



**AA** Top hat (6)

**BB** Washer (6)

**CC** Bushing (6)

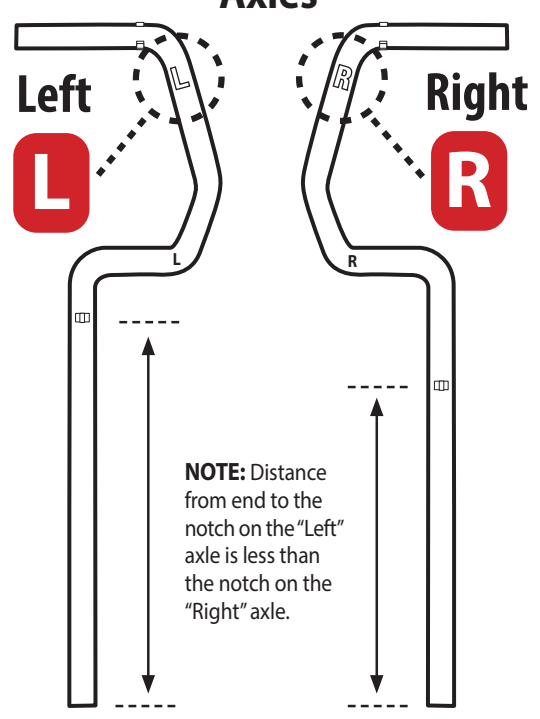
**Shown actual size**

(3) 1/2" (1,27 cm)

(9) short plastic fastener

(4) large fastener

## Front Wheel Axles

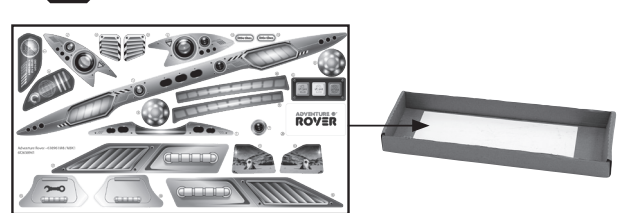


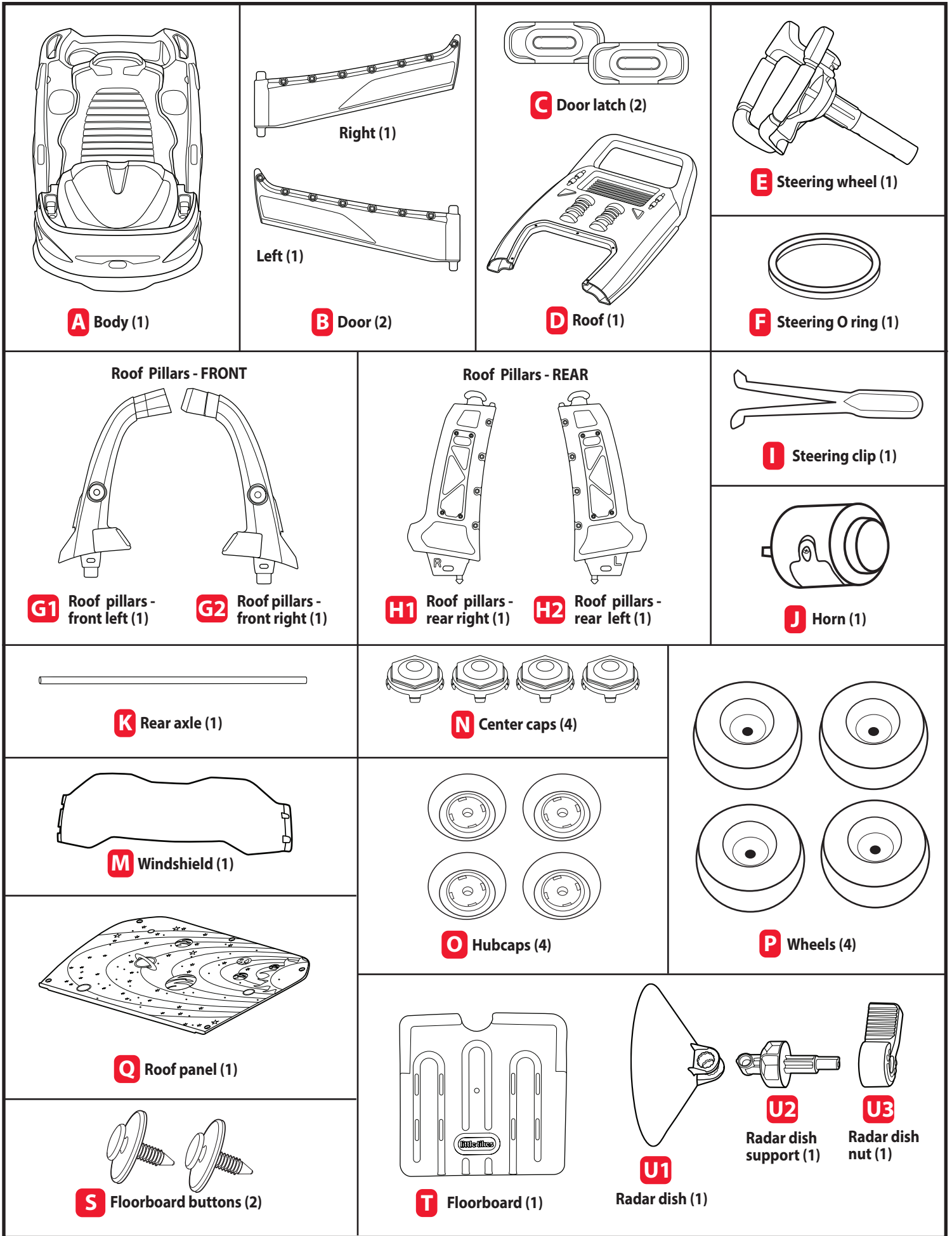
**Left** **L**

**Right** **R**

**NOTE:** Distance from end to the notch on the "Left" axle is less than the notch on the "Right" axle.

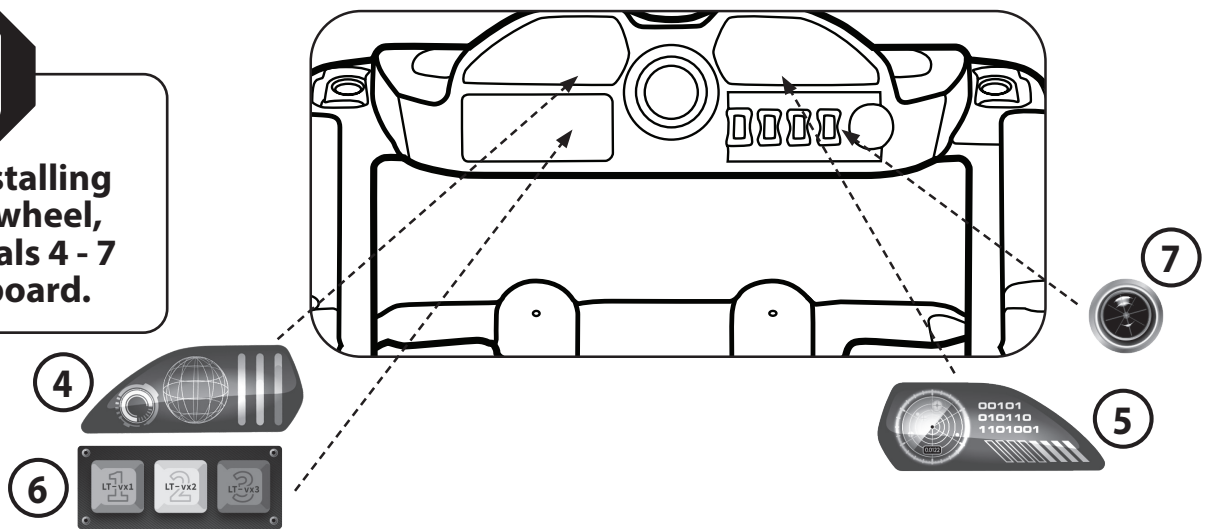
**(1) Decal sheet is located in the bottom of the cardboard box.**





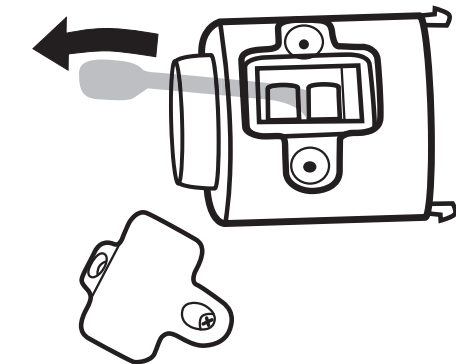
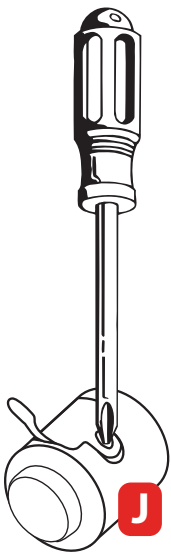
# 1 Start with the dashboard decals!

  
Before installing steering wheel, apply decals 4 - 7 to dashboard.

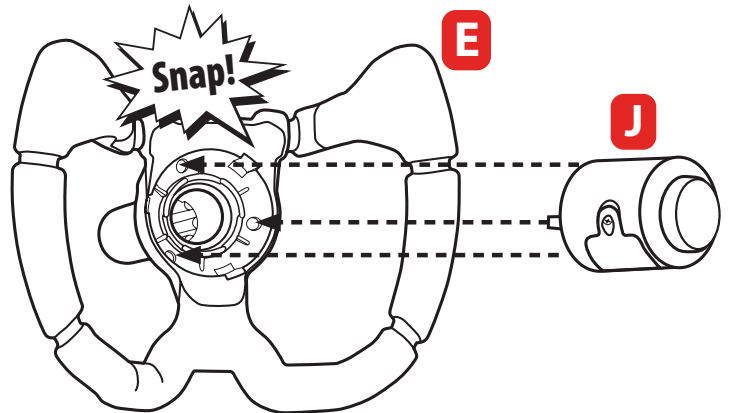


# 2 Let's get the horn working

**⚠ WARNING: Remove battery cover before pulling tab.**



Remove battery cover on horn (part J)  
Pull clear tab from horn unit to activate. Re-attach battery cover.



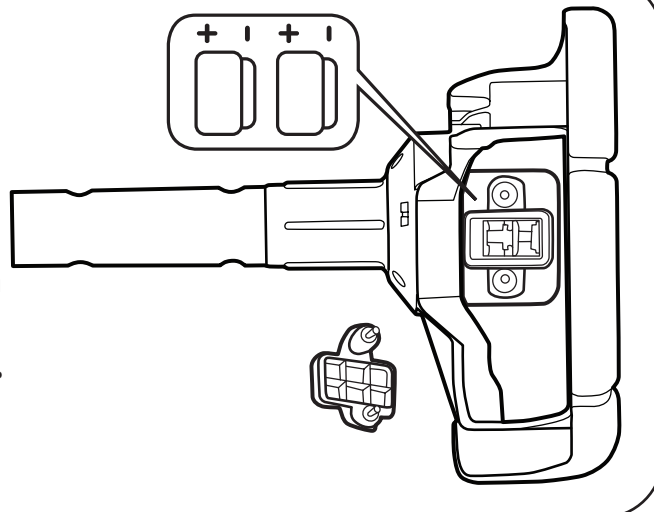
Snap horn (part J) into center of steering wheel (part E)

## To replace batteries

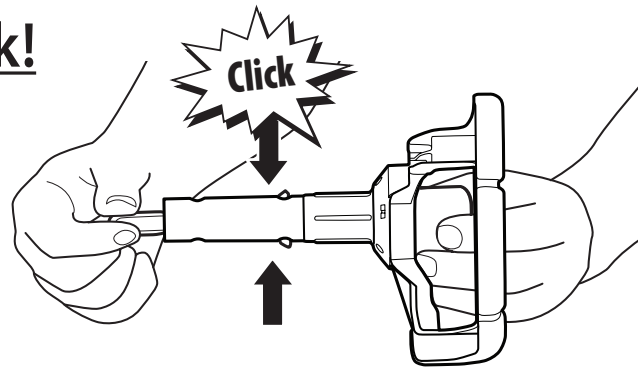
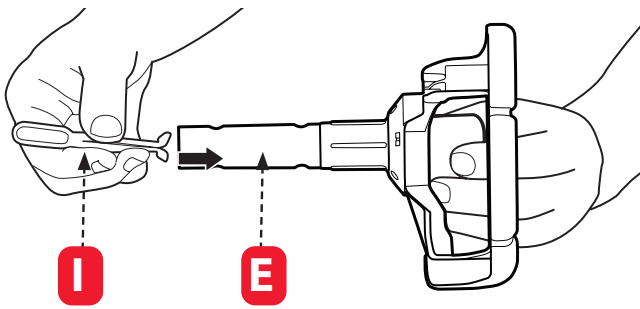
Remove battery cover from horn.

Install (2) "LR44" button cell batteries.

Re-attach battery cover.

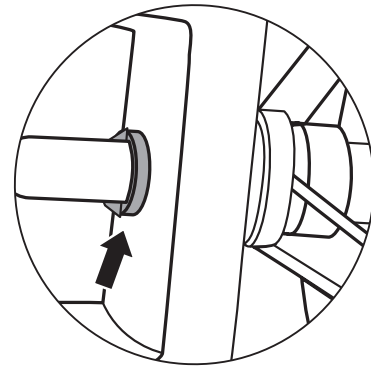
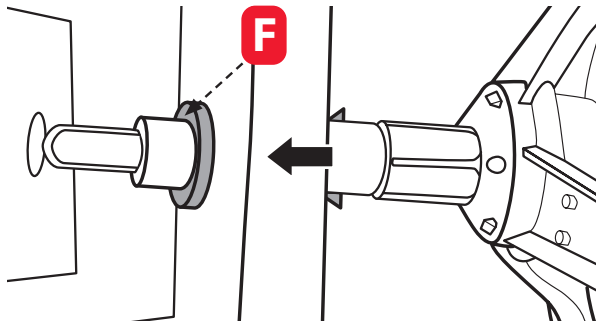


### 3 Steering wheel...in a Click!



**1** Squeeze steering clip (part I) into steering wheel (part E).

**2** Steering clip should snap into MIDDLE hole on each side of the steering column.



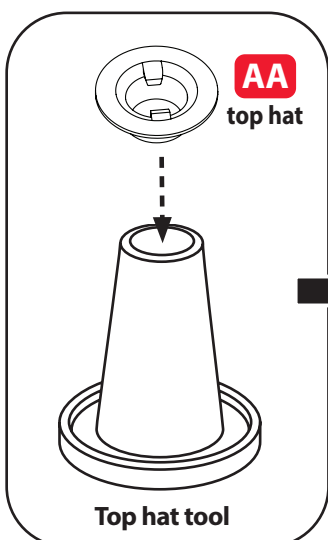
**3** Insert steering wheel through hole in dashboard **AND** through the steering O ring (part F).

**4** Make sure the steering clip snaps past the O ring.



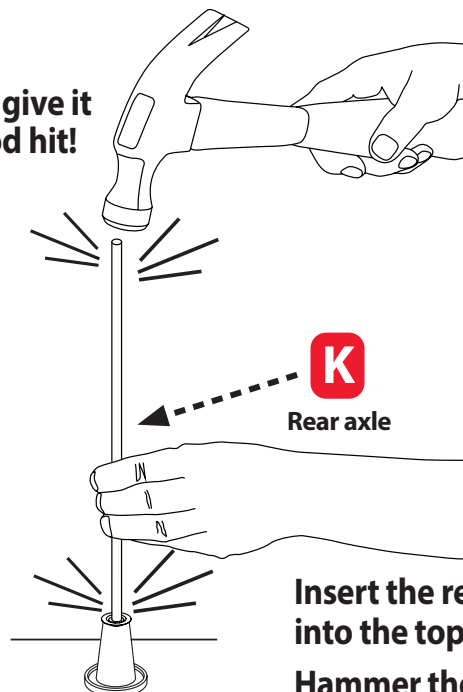
If your steering wheel is loose or not staying in place; check to be sure the steering clip has completely snapped past the O-ring.

### 4 REAR wheels...give it a good hit!



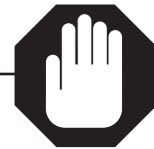
Place (1) top hat (part AA) into top hat tool.

Really give it a good hit!



Insert the rear axle (part K) into the top hat.

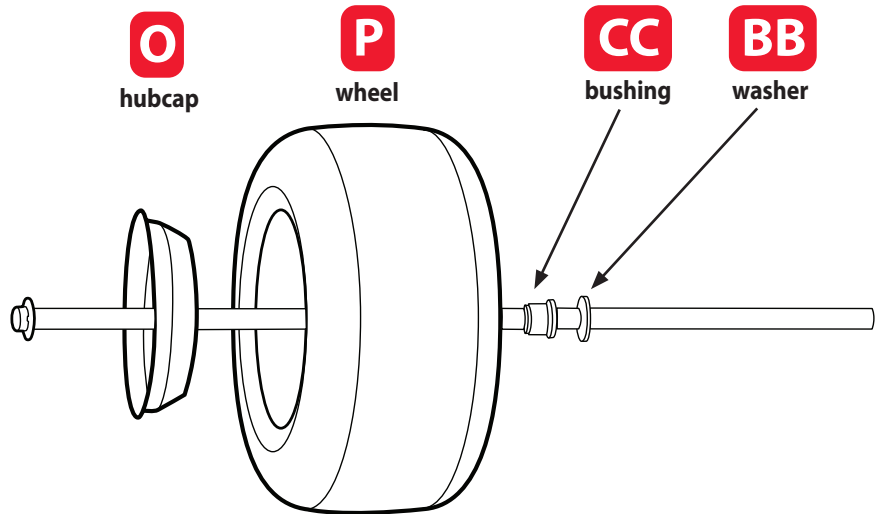
Hammer the axle into the top hat.



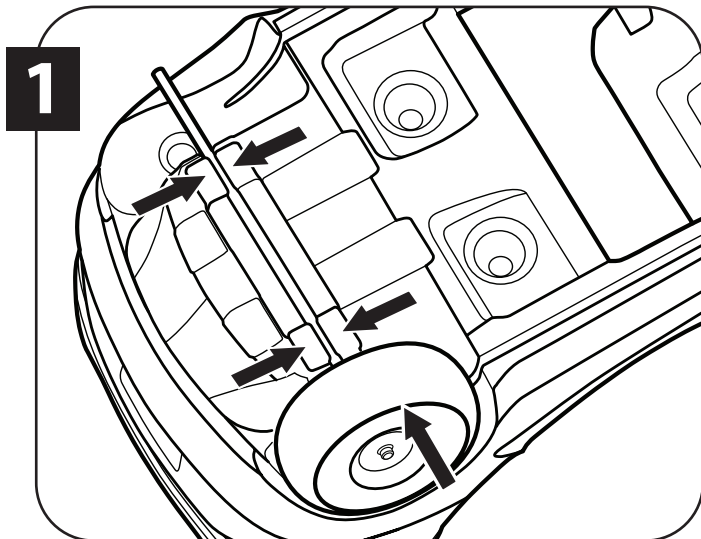
Do not hammer on surfaces or items you don't want to break, mark or dent.

# 4a

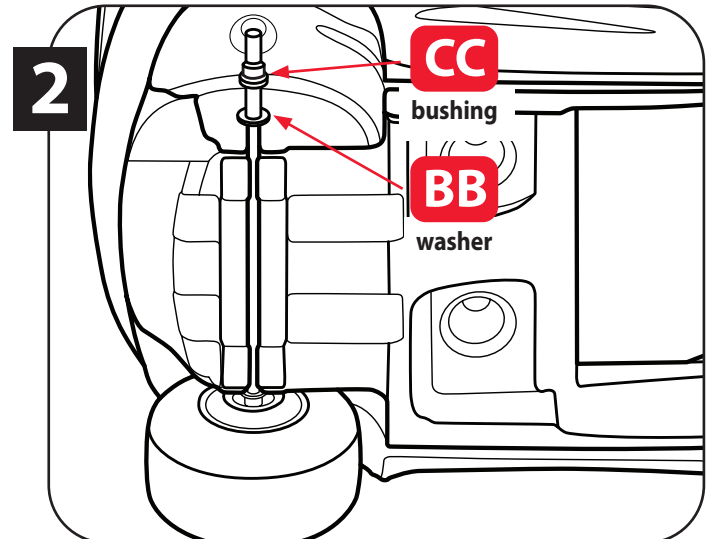
## REAR wheels...get in the groove.



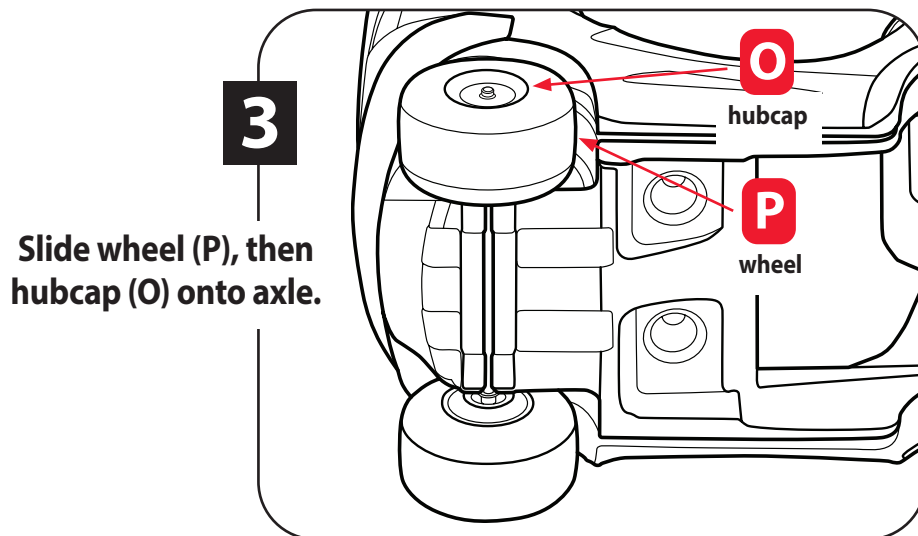
Slide onto rear axle (1) hubcap (O), (1) wheel (P), (1) bushing (CC) and (1) washer (BB).



Slide assembled axle through rear axle guides.



Slide (1) washer (BB) then (1) bushing (CC).



Slide wheel (P), then hubcap (O) onto axle.

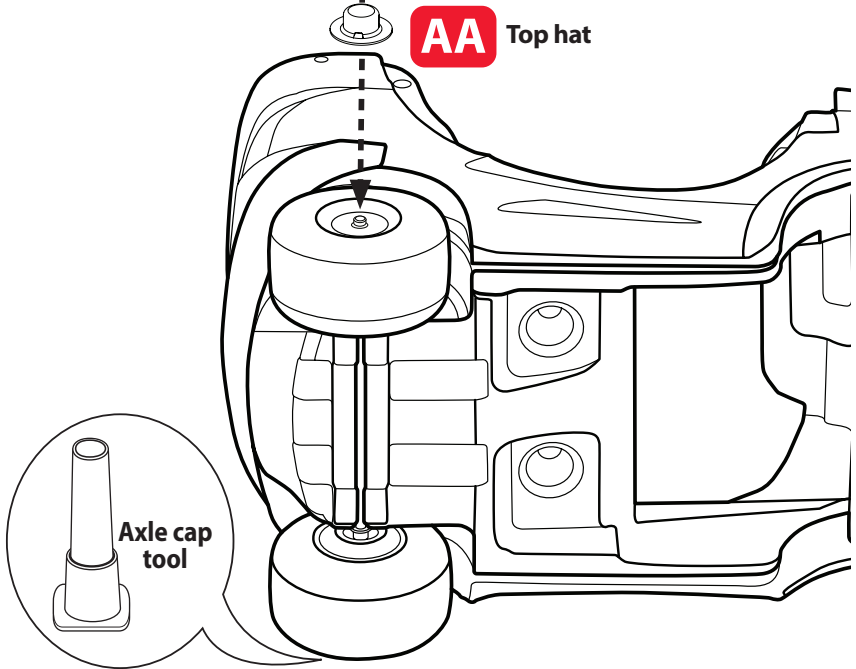
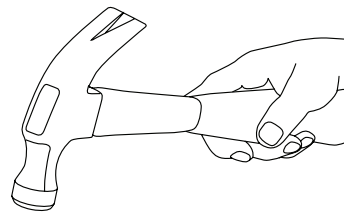


# 4b REAR wheels...last step.

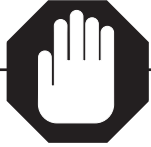
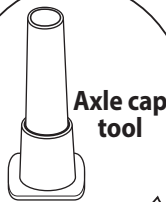
Flip the coupe on its side.

Place a (1) top hat (AA) and the top hat tool over the OPEN end of the axle.

Hammer the top hat onto axle.



Use the tall axle cap tool to SUPPORT the bottom of axle.

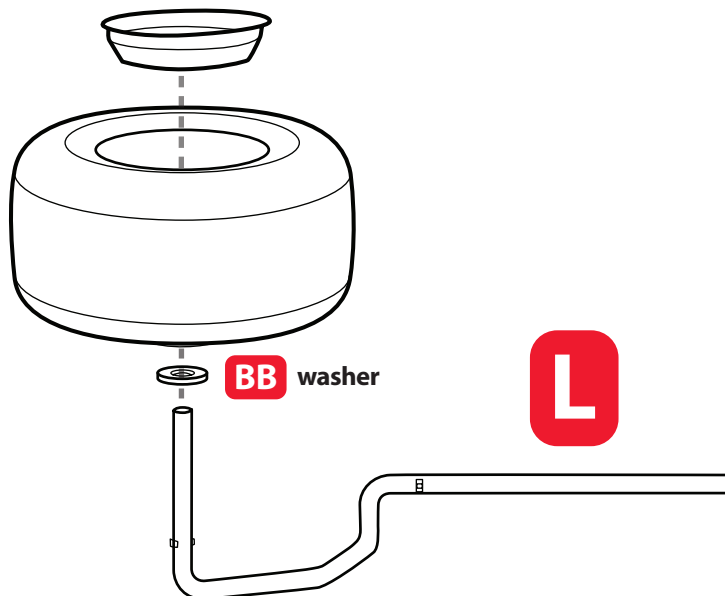
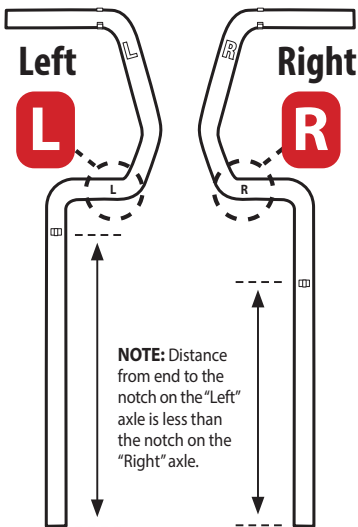


Do not hammer on surfaces or items you don't want to break, mark or dent.

# 5 FRONT wheels...check your axles

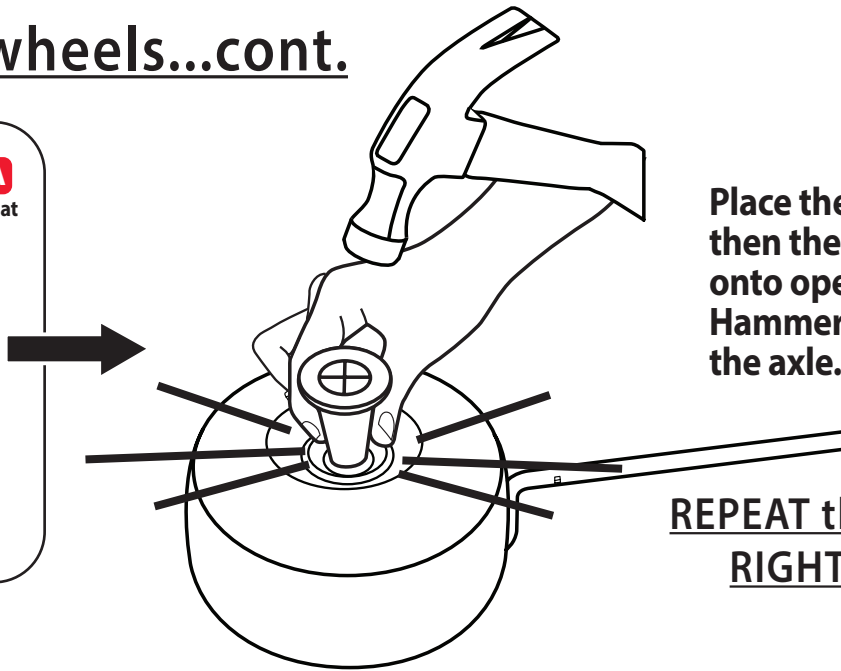
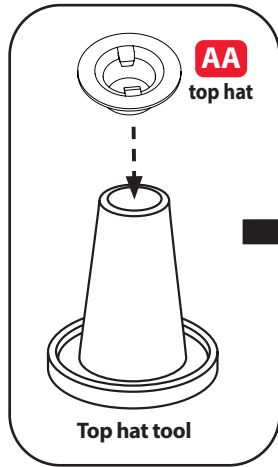


Axes are NOT IDENTICAL.



Slide onto LEFT front axle (L) (1) washer (BB), (1) wheel (P) and (1) hubcap (O).

## 5 FRONT wheels...cont.



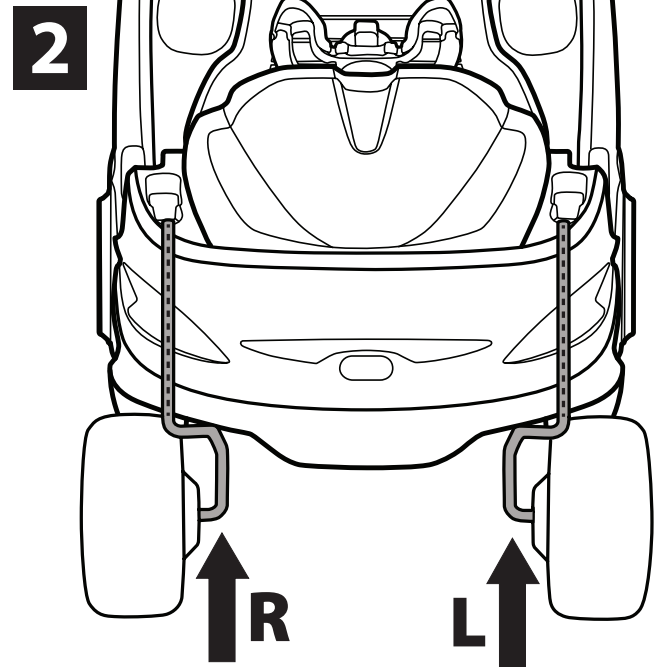
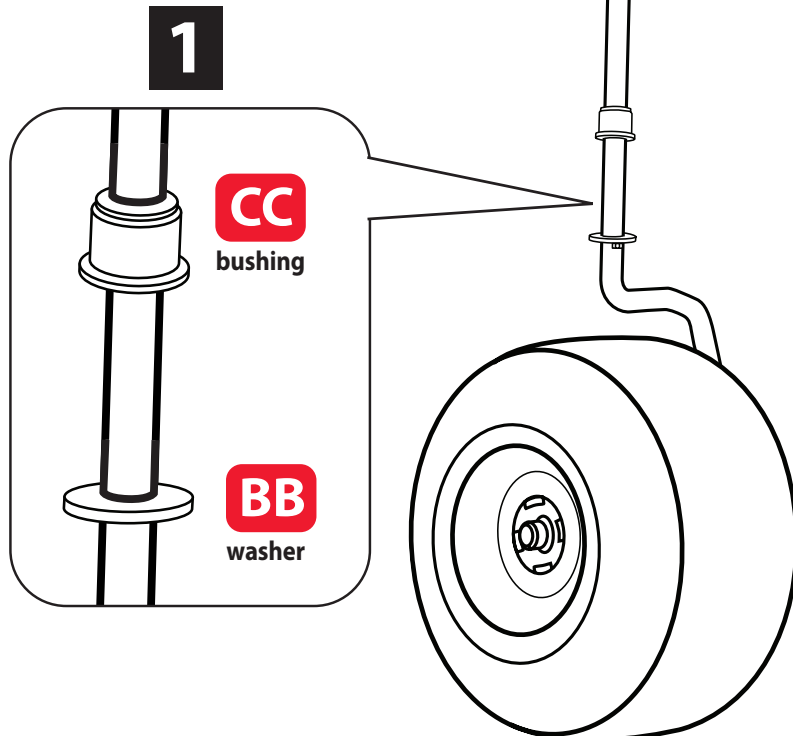
Place the top hat,  
then the top hat tool  
onto open end of axle.  
Hammer top hat onto  
the axle.

REPEAT these steps for  
RIGHT front axle

## 6a FRONT wheels...rolling along!

First, slide washer (BB), then bushing (CC) onto  
assembled right axle. REPEAT on left side.

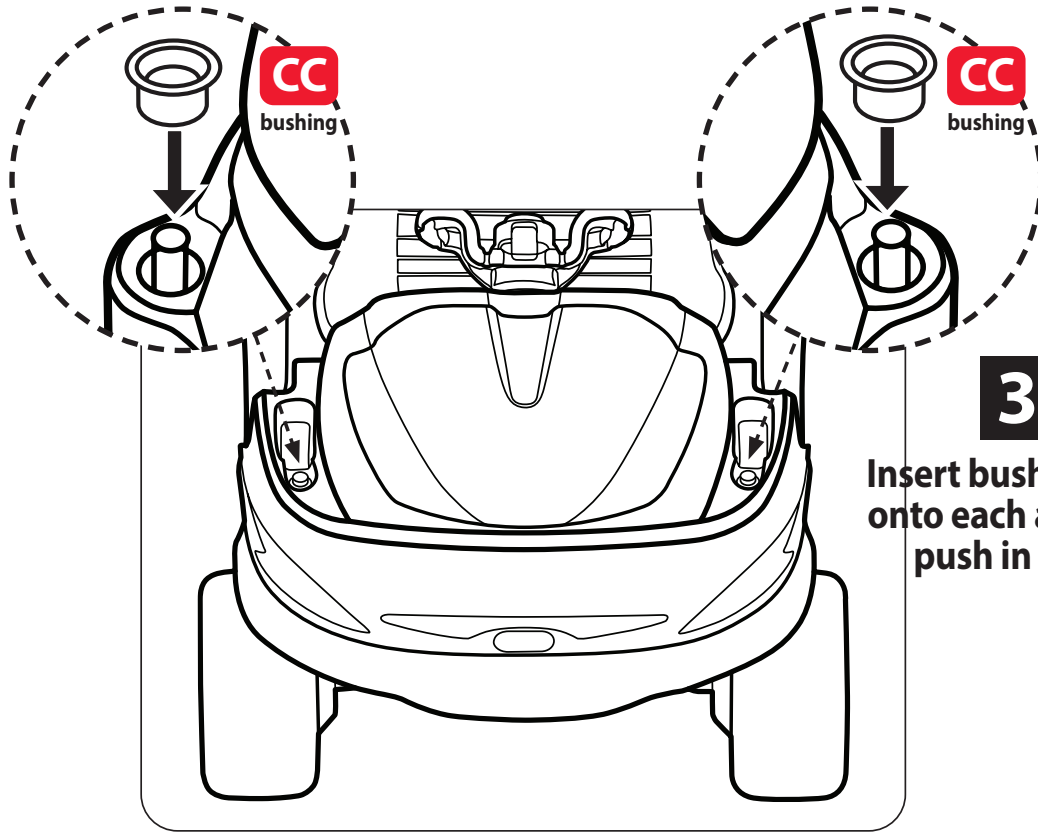
Then, attach FRONT wheels and axles.



Insert axle "R"  
(for right) into body.

Insert axle "L"  
(for left) into body.

# 6b FRONT wheels...cont.

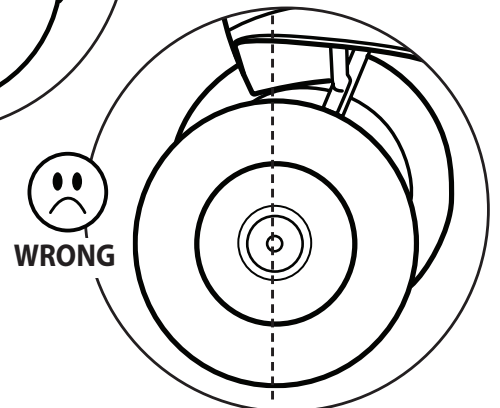
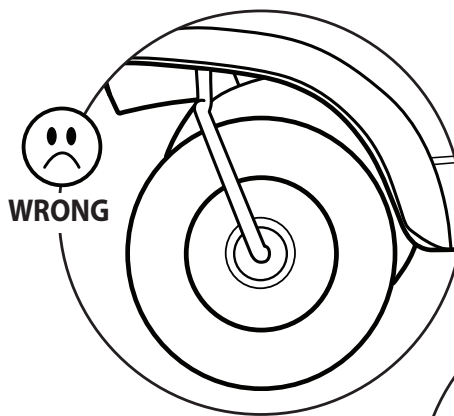
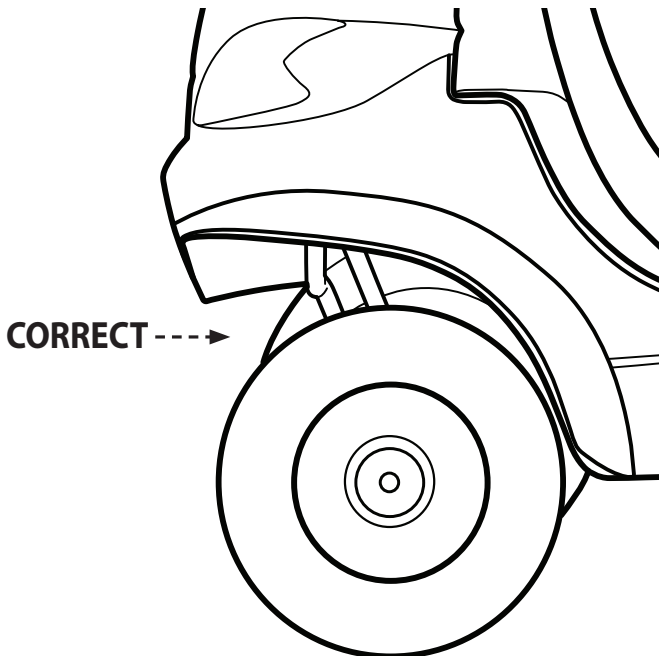


**3**  
Insert bushing (CC) onto each axle and push in place



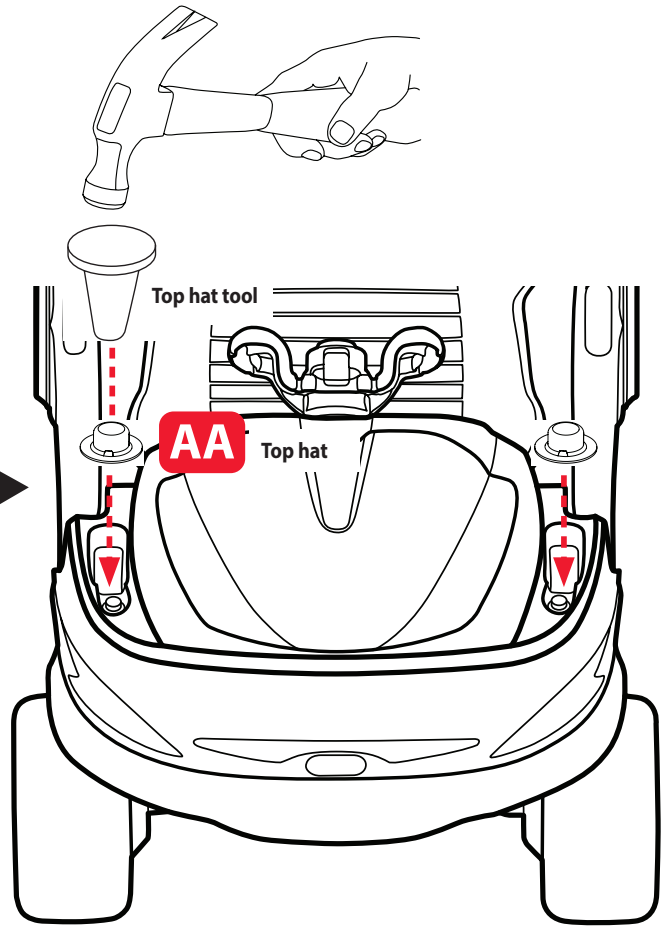
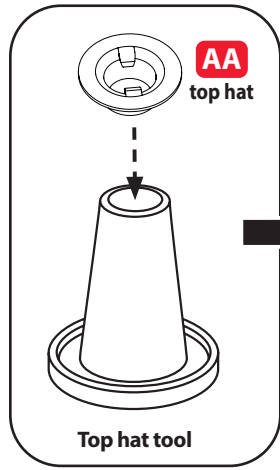
**STOP**

**IMPORTANT! Check axle positions - roll the Adventure Rover forward - HUBCAPS SHOULD BE FACING OUTWARD.**

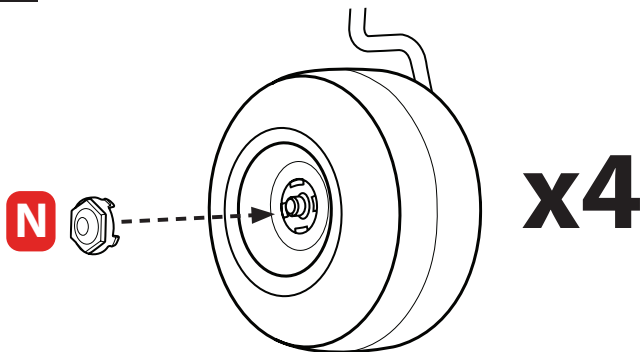


# 6c Caps and snaps!

**1** Insert top hat (AA) onto the top of each axle and hammer into place.

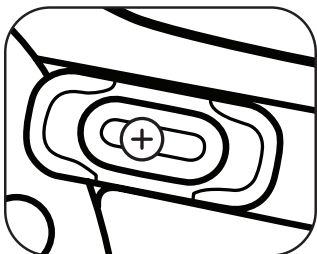


**2** Align slots and snap on (4) center caps (part N).

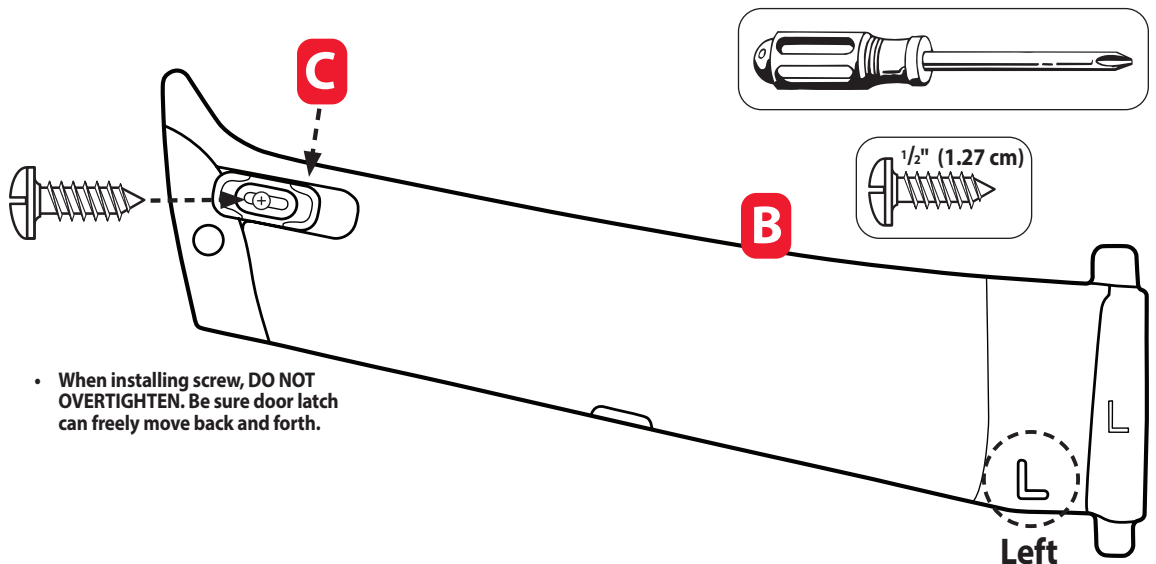


# 7 Choose your lock!

First, install door latch (part C) into door (part B) Attach using (1) 1/2" (1.27 cm) screw. Repeat on other door.

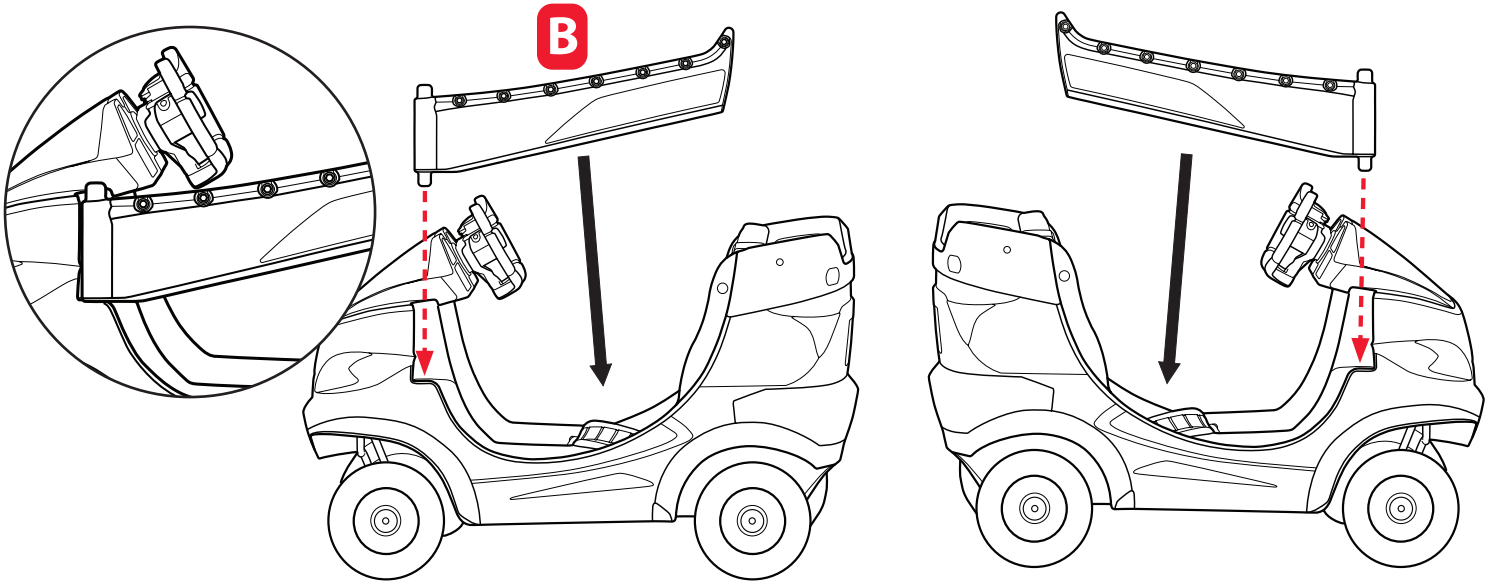


DOOR LOCKS AND UNLOCKS

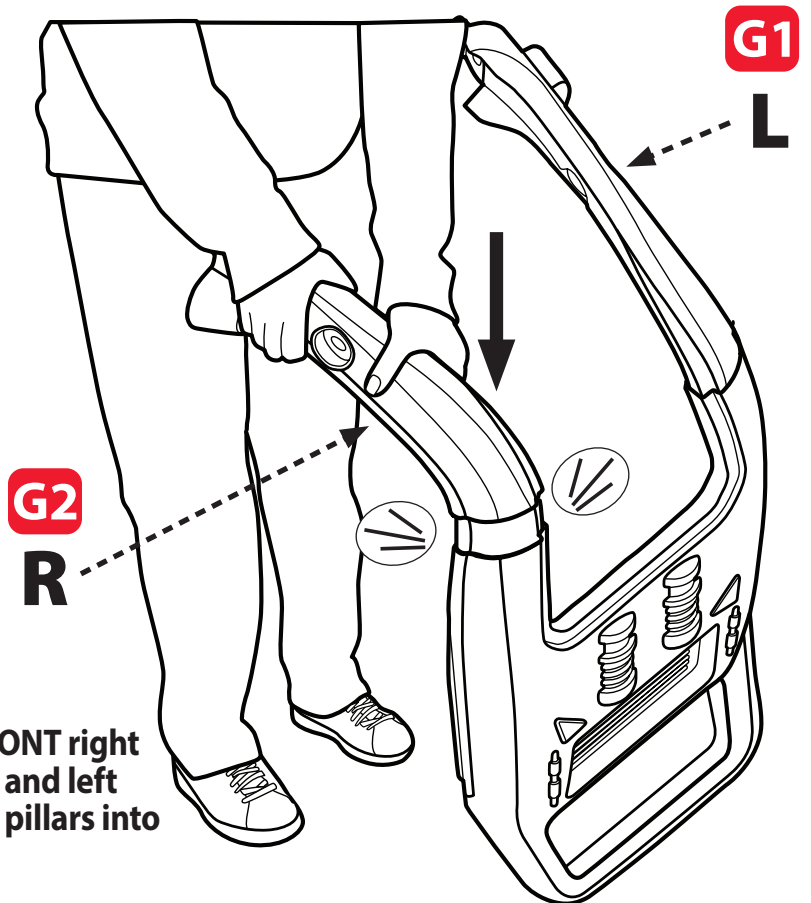
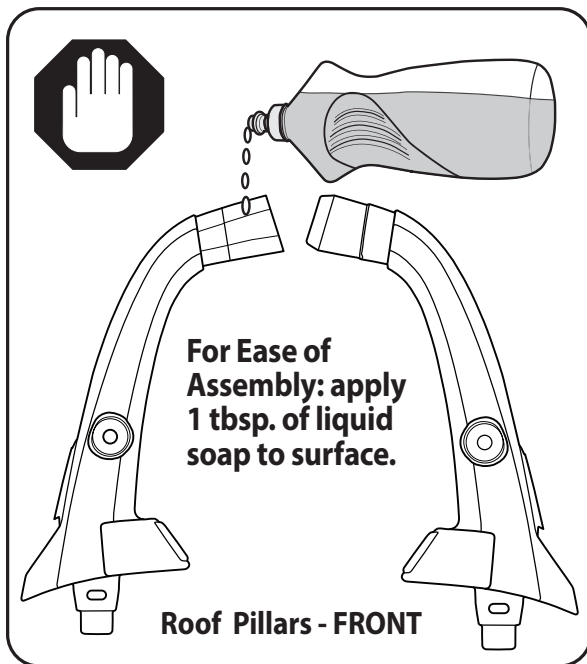


# 7 Choose your lock! - cont.

Next, insert Right and Left doors (part B) into body.



# 8a Front pillars pop right in



Insert FRONT right (part G2) and left (part G1) pillars into roof.

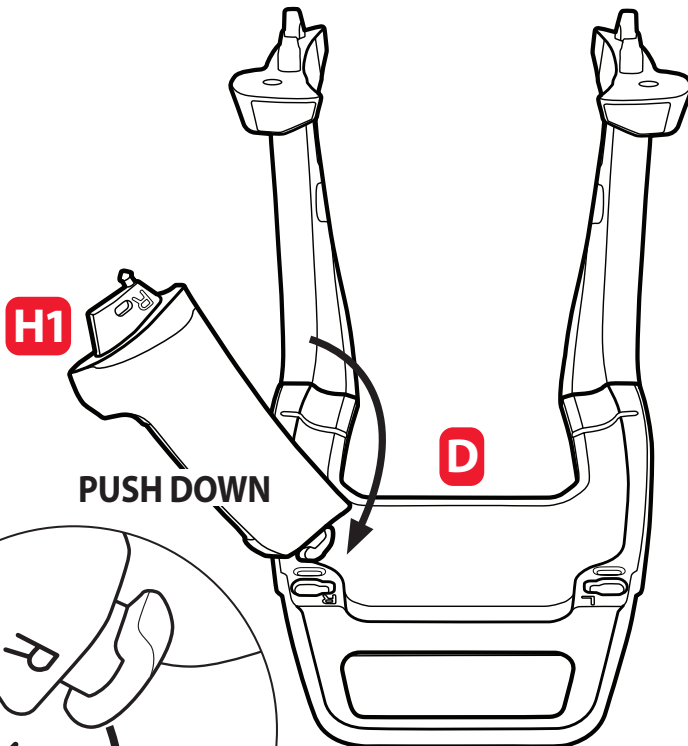
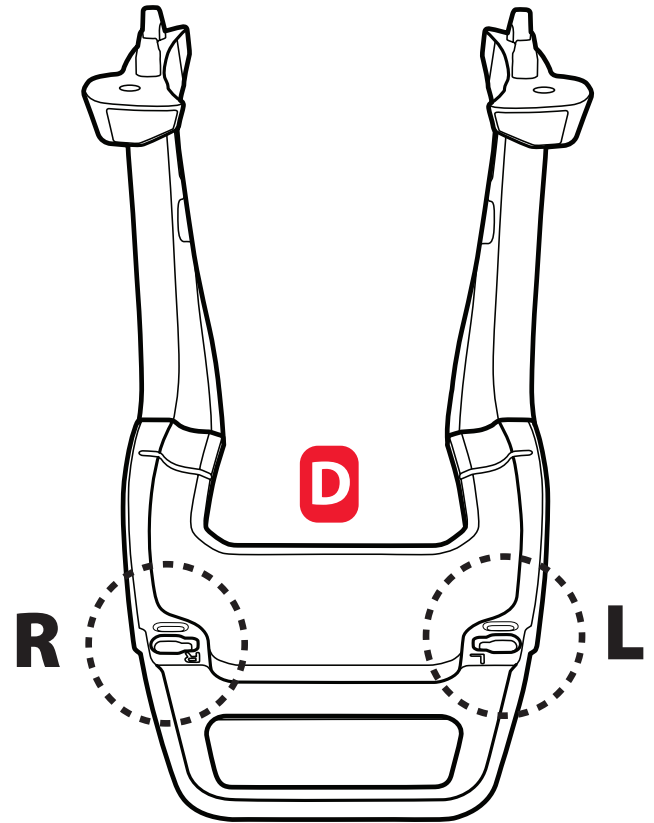
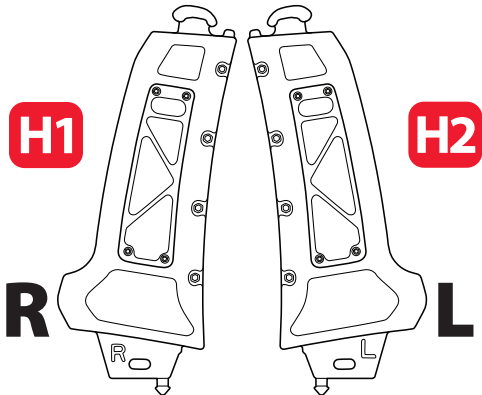
# 8b

## REAR pillars... insert, pull back, turn!



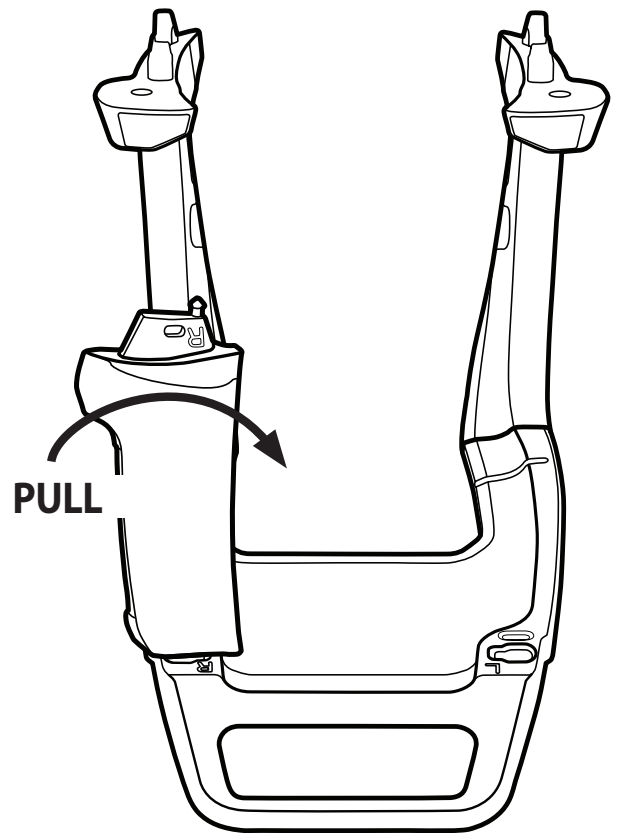
**BEFORE YOU START:** match roof pillars marked "L & R" to the correct side of roof also marked "L & R".

Roof Pillars - REAR



1

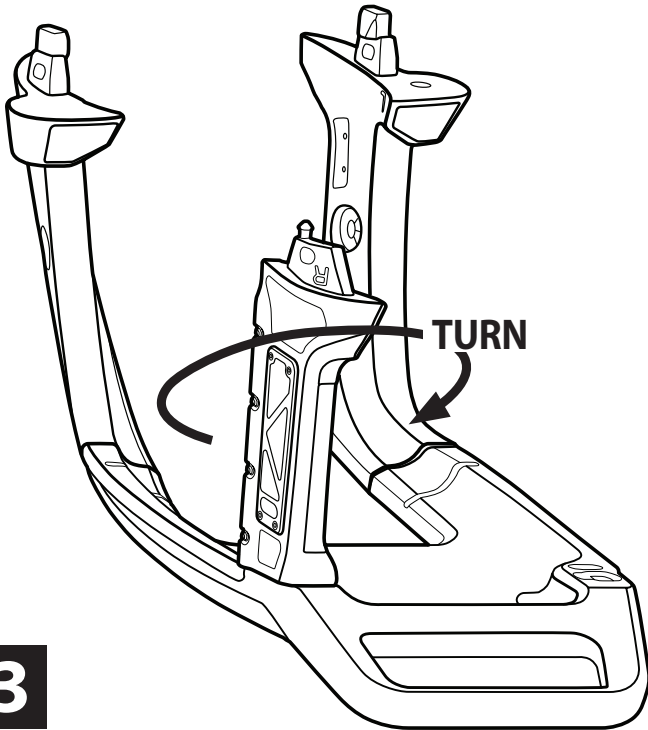
Hook the **ROUNDED END** of the REAR roof pillar (part H1) into the roof (part D) and push down.



2

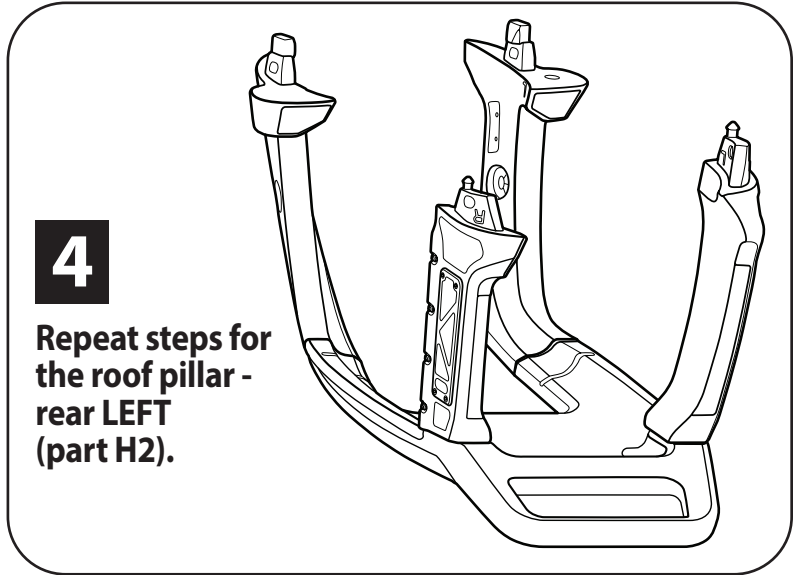
Pull the REAR roof pillar toward you to fully insert the pillar into the roof.

## 8b REAR pillars... insert, pull back, turn!

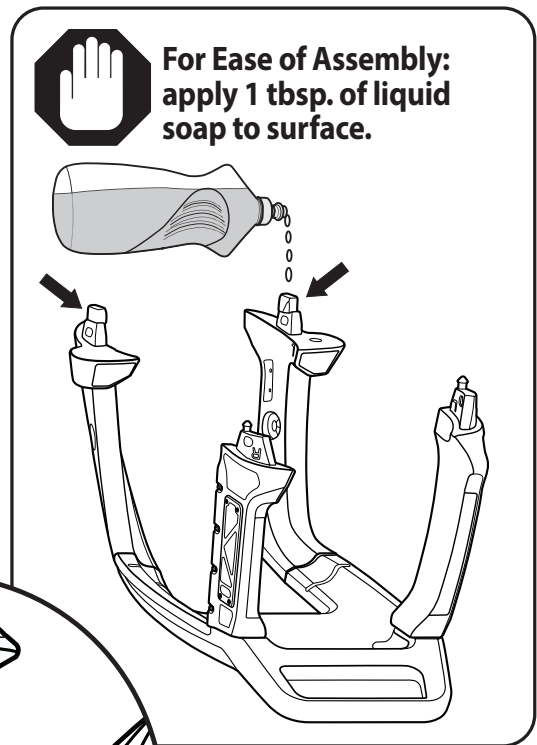
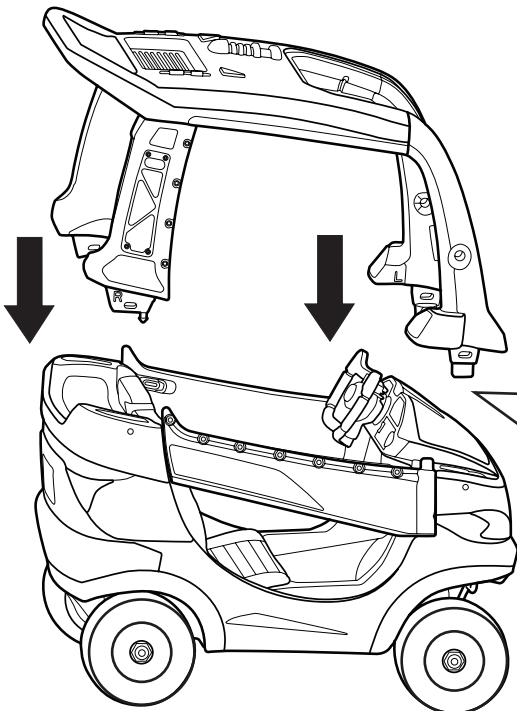


3

Turn the roof pillar around. The Little Tikes logo should be facing outward.

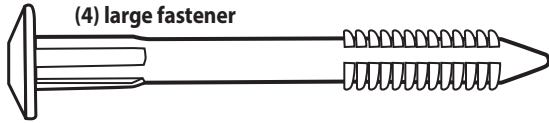


## 9a Let's put it all together!

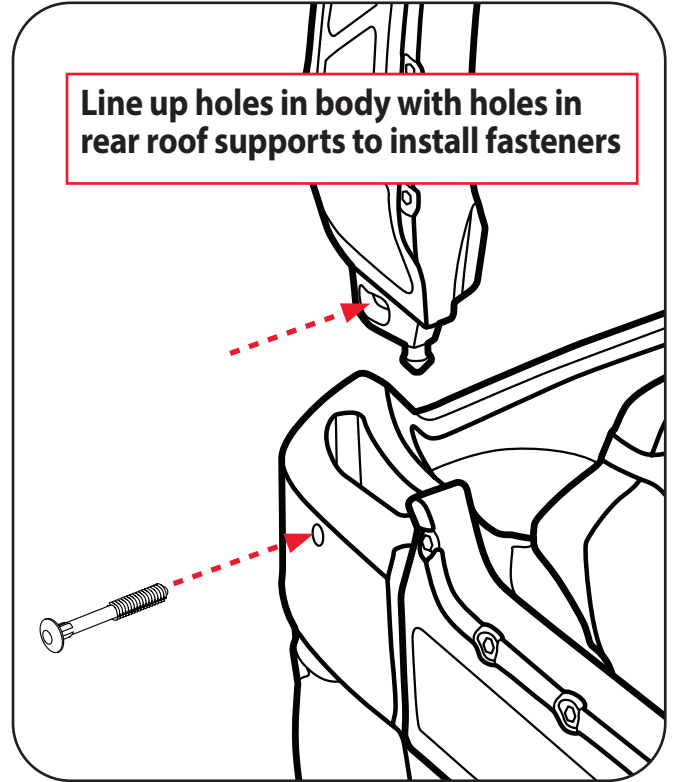
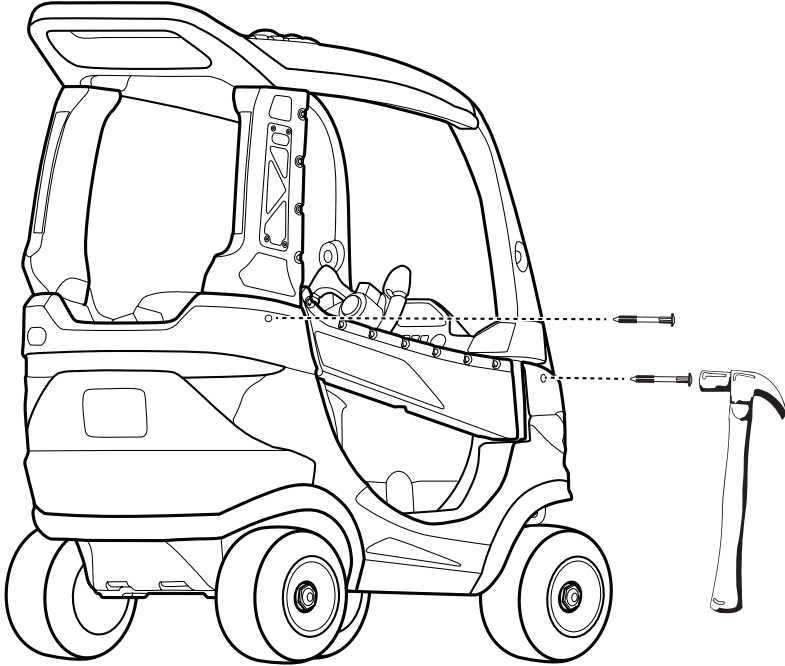


Insert FRONT and REAR pillars into body. **IMPORTANT:** Make sure front pillars fit over door pins.

# 9b Let's put it all together!

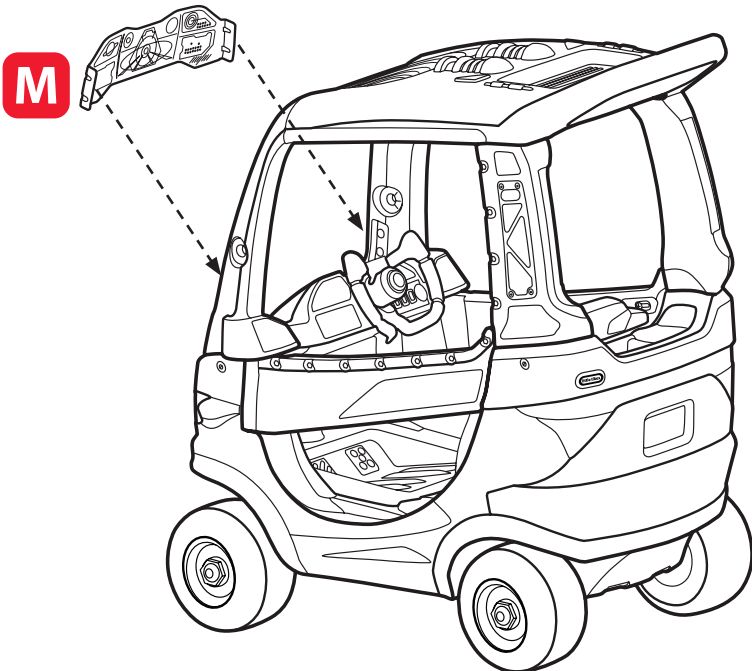


Person 1: hold down roof assembly.  
Person 2: install (2) fasteners (2 each side)

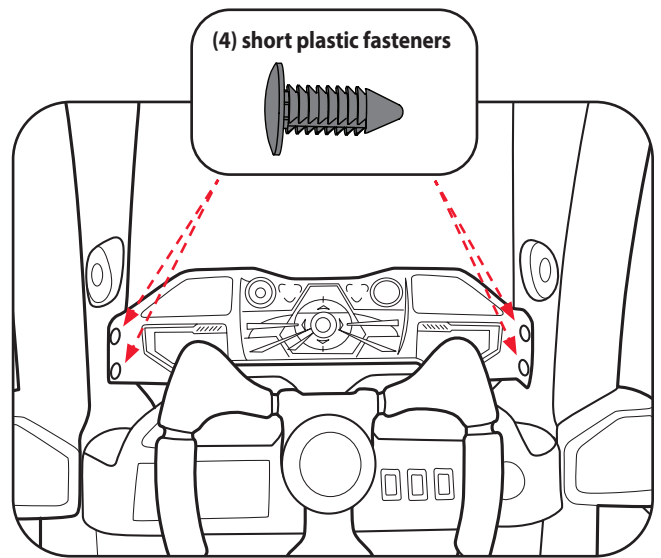


Repeat on the other side

# 10 Need a windshield...



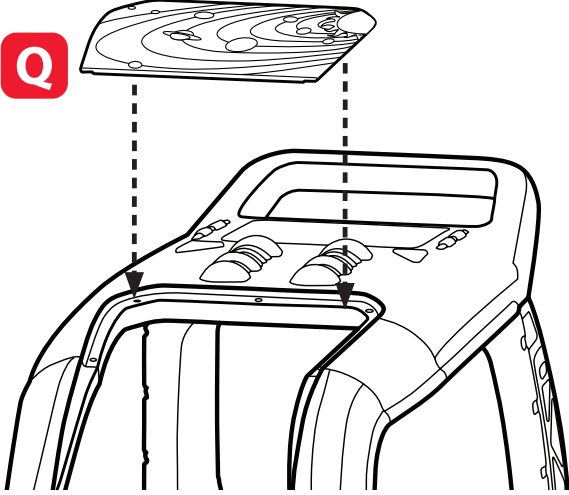
Insert visor (part M) between front pillars.



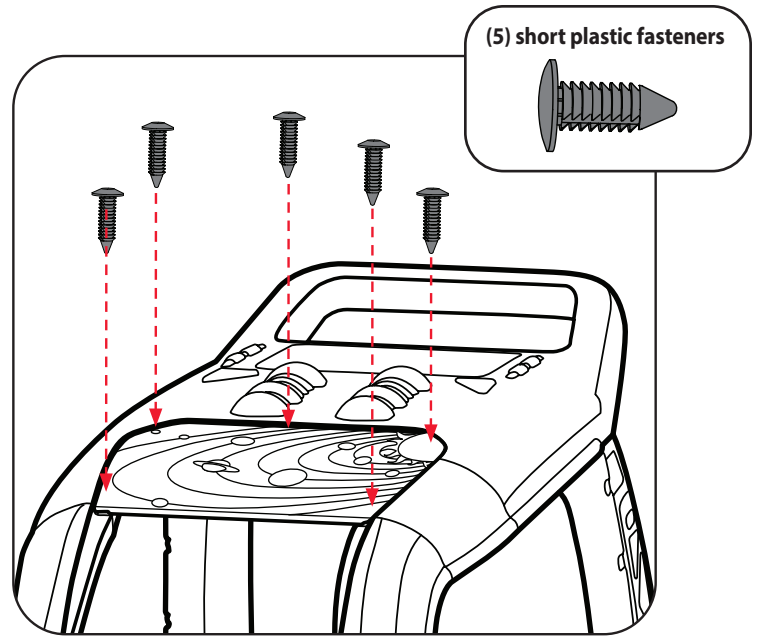
Install using (4) short plastic fasteners.



# 11 View of the stars!

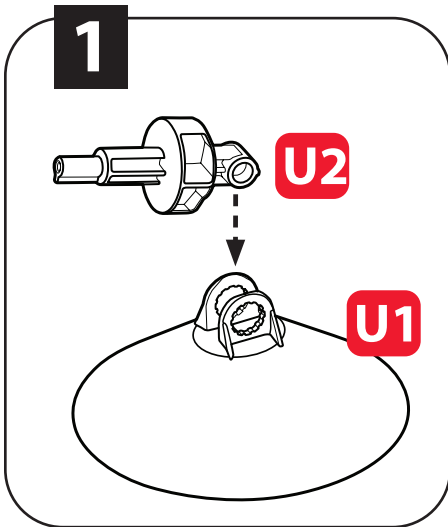


Insert roof panel (part Q) onto the roof.



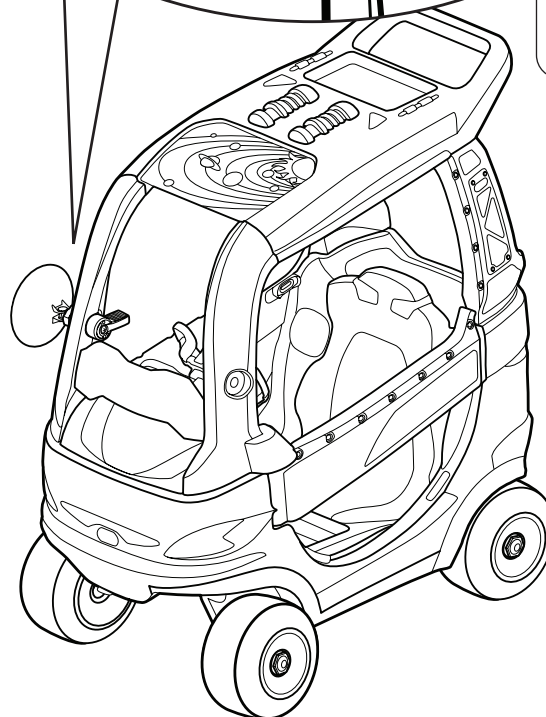
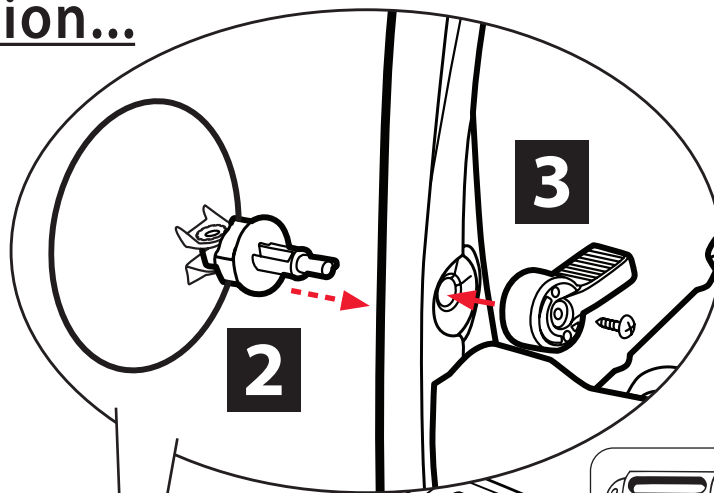
Install using (5) short plastic fasteners.

# 12 Radar detection...



**1** Insert radar dish support (U2) into the radar dish (U1).

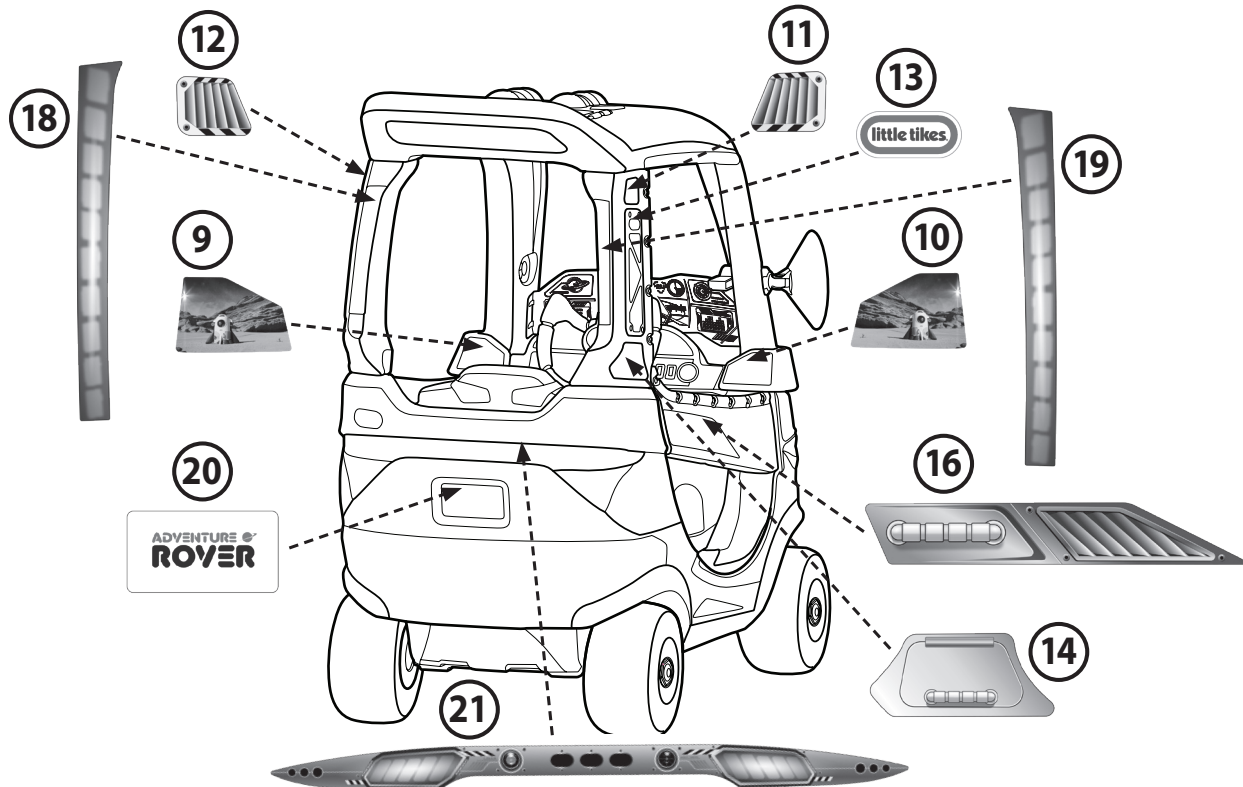
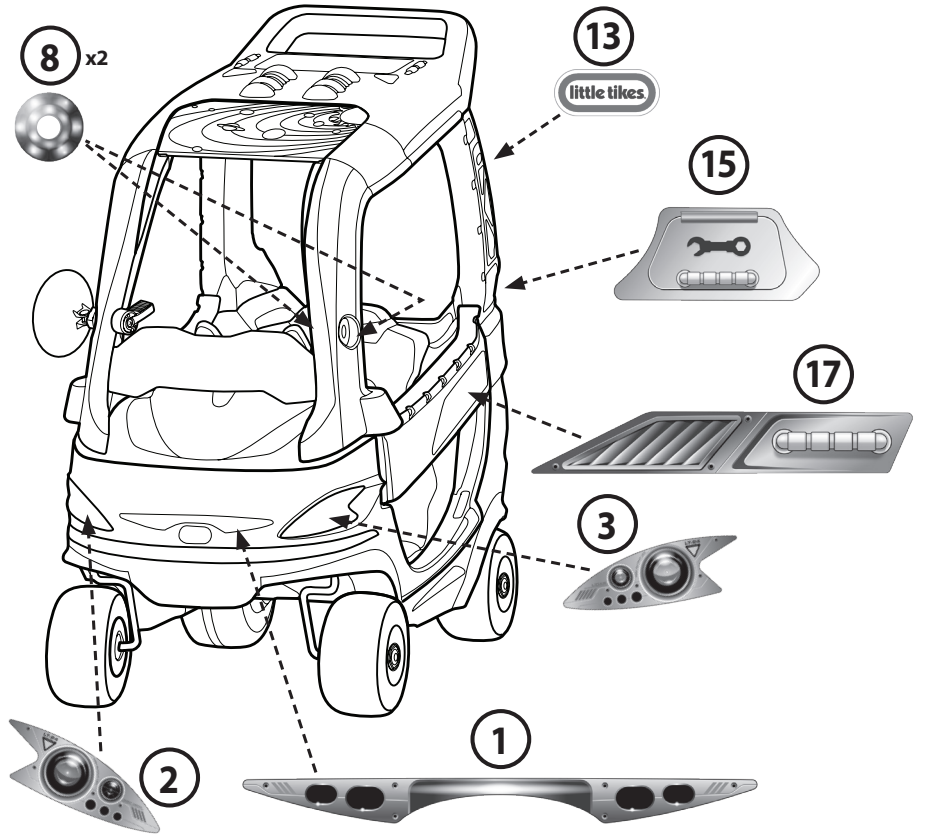
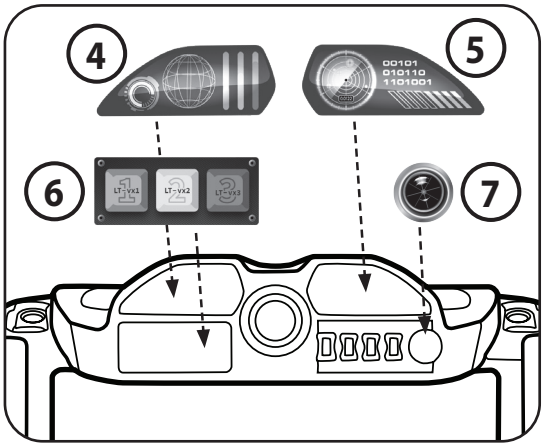
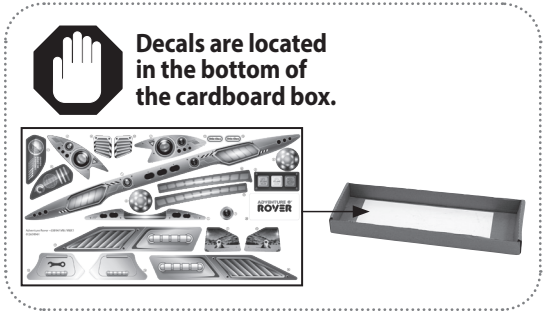
**2** Choose a side to install the radar dish. Insert assembled Radar dish support through the front pillar (dish should be facing outward).



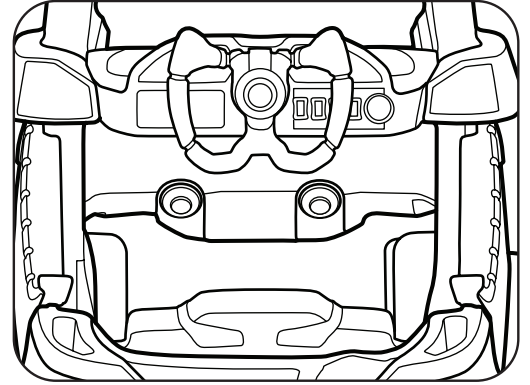
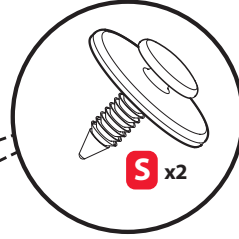
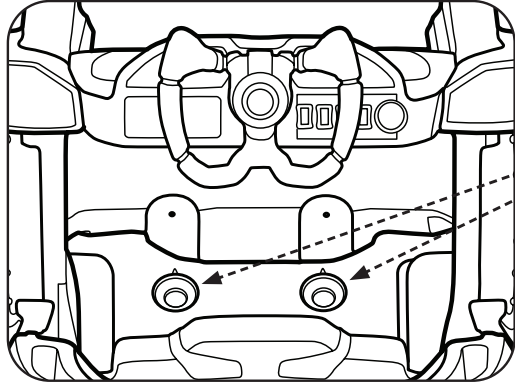
**3** Assemble the radar dish nut (U3) onto the other end of the support. Secure the nut using (1) 1/2" (1.27 cm) screw.

# 13 LAST STEP...let's finish with the decals!

Decals must be applied to a clean, dry surface. Wipe clean with a dry rag before application. Remove air from under decals by applying pressure to the decals starting from the center, and work towards edges. NOTE: If decals bubble, prick with a pin to remove the air.



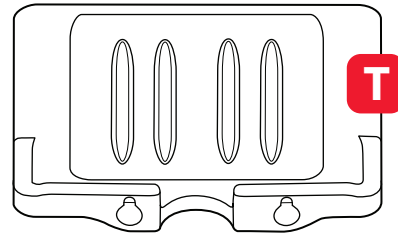
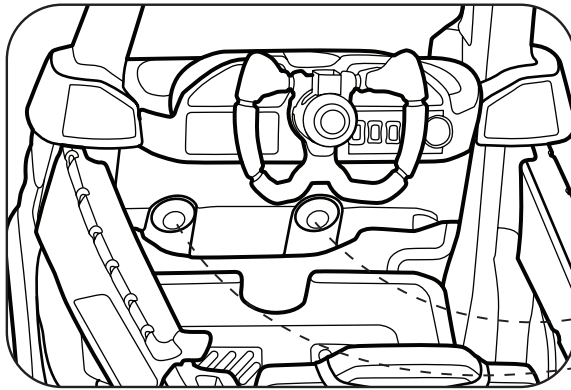
# 14 Floorboard needs buttons!



Insert (2) floorboard buttons (part S).



For parent controlled push rides, install the floorboard.



Line up openings in floorboard (part T) to floorboard buttons.

Once buttons are inserted into floorboard, push down to secure in place.

