



Adventure Rocket™

ASSEMBLY INSTRUCTIONS

#662720M8

Adult assembly required. Approx. assembly time: 60 min.



YouTube



Thank you for choosing the Little Tikes® Adventure Rocket™. We strive to provide a durable, easy-to-assemble toy that's made to last, giving your child years of imaginative, engaging fun!

Really important information you should know!

- Read through all the instructions first.
- Clear a flat surface to lay out all the materials so everything is close at hand.
- You will need a Phillips head screwdriver (power driver, recommended, not included) hammer and safety glasses (not included) to assemble the Adventure Rocket™.
 - When installing screws, be sure screws are tightened snugly, but do NOT OVERTIGHTEN.
- Be sure to locate your decals and set aside. Decals are easier to apply when the part is laying flat, so you may want to apply the decals before assembly.
- The parts are listed below - each part is identified with a letter in RED for easy reference.
- Illustrations are for reference only. Styles may vary from actual contents.
- **If you have any questions, we're here to help. Give our customer service team a call at 1-800- 321-0183.**

WARNINGS!

- **Adult Assembly Required**
- Keep these instructions for future reference.
- Prior to assembly, this package contains small parts: hardware which is a choking hazard and may contain sharp edges and sharp points. Keep away from children until assembled.
- Maximum weight limit: 60 lbs. (27.2 Kg)
- This product is intended for use by children ages over 2 - 6 years.
- Adult supervision required. Do not leave children unattended.
- Do not allow children to sit, stand, play or climb on the top surface. Failure to do so may cause the product to become unstable.
- This product is intended for outdoor domestic family use only.
- Protect your eyes. Always wear safety glasses when using a power tool.
- When temperatures fall below 0°F/-18°C, outdoor use of this product is not recommended. In extreme cold, plastic materials lose resilience and may become brittle and crack upon impact. Store product in a warmer, protected place.

TO CLEAN:

- Use mild, soapy water.
- DO NOT USE window cleaners, or any cleaner containing ammonia or abrasive detergents.

DISPOSAL

Disassemble and dispose of equipment in such a manner that no hazardous conditions such as, but not limited to, small parts and sharp edges exist at the time equipment is discarded.

Battery Safety Information. This is serious !

- Keep these instructions for future reference.
- **Requires 3 "AA" (LR06) alkaline batteries (not included). (Rechargeable batteries may be substituted.)**
- The voltage of a fully-charged, rechargeable battery is often lower than that of a fresh alkaline battery. Therefore, it is recommended that alkaline batteries be used instead of rechargeable batteries for best performance and longer play time.
- Install batteries with the correct polarity (+ and -).
- To avoid battery leakage:
 1. Follow the toy and battery manufacturer's installation instructions.
 2. Do not mix old and new batteries.
 3. Do not mix standard (carbon-zinc), alkaline or rechargeable batteries. Do not mix different brands of batteries. Only batteries of the same or equivalent type as recommended are to be used.

4. When toy is not used for an extended period of time, remove batteries to prevent possible leakage and damage to the unit.
5. Remove dead or exhausted batteries from product.
6. Dispose of dead batteries properly; do not bury. Do not dispose of batteries in fire as they may leak or explode.
 - Make sure cover is properly installed on unit at all times.
 - Do not attempt to recharge non-rechargeable batteries.
 - Rechargeable batteries are to be removed from the toy before recharging.
 - Charging of rechargeable batteries should be done only by an adult.
 - The supply terminals are not to be short circuited.

NOTE: If the unit stops working or doesn't work as it should, remove the batteries for a few minutes and then re-insert them. If there is still a problem, install new batteries.

FCC COMPLIANCE

NOTE: This equipment has been tested and found to comply with the limits for a Class B digital device, pursuant to Part 15 of the FCC Rules. These limits are designed to provide reasonable protection against harmful interference in a residential installation. This equipment generates, uses and can radiate radio frequency energy and, if not installed and used in accordance with the instructions, may cause harmful interference to radio communications. However, there is no guarantee that interference will not occur in a particular installation. If this equipment does cause harmful interference to radio or television reception, which can be determined by turning the equipment off and on, the user is encouraged to try to correct the interference by one or more of the following measures:

- Reorient or relocate the receiving antenna.
- Increase the separation between the equipment and receiver.
- Connect the equipment into an outlet on a circuit different from that to which the receiver is connected.
- Consult the dealer or an experienced radio/TV technician for help.

This device complies with Part 15 of the FCC Rules. Operation is subject to the following two conditions: (1) This device may not cause harmful interference, and (2) this device must accept any interference received, including interference that may cause undesired operation.

Caution: Modifications not authorized by the manufacturer may void users authority to operate this device.

This Class B digital apparatus complies with Canadian ICES-003.



'Let's care for the environment!'

The wheelie bin symbol indicates that the product must not be disposed of with other household waste. Please use designated collection points or recycling facilities when disposing of the item. Do not treat old batteries as household waste. Take them to a designated recycling facility.

© The Little Tikes Company, an MGA Entertainment company. LITTLE TIKES® is a trademark of Little Tikes in the U.S. and other countries. All logos, names, characters, likenesses, images, slogans, and packaging appearance are the property of Little Tikes. Please keep this address and packaging for reference since it contains important information. Contents, including specifications and colors, may vary from photos depicted on package. Instructions included. Please remove all packaging including tags, ties & tacking stitches before giving this product to a child.

LIMITED WARRANTY

The Little Tikes Company makes fun, high quality toys. We warrant to the original purchaser that this product is free of defects in materials or workmanship for one year * from the date of purchase (dated sales receipt is required for proof of purchase). At the sole election of The Little Tikes Company, the only remedies available under this warranty will be the replacement of the defective part or replacement of the product. This warranty is valid only if the product has been assembled and maintained per the instructions. This warranty does not cover abuse, accident, cosmetic issues such as fading or scratches from normal wear, or any other cause not arising from defects in material and workmanship. *The warranty period is three (3) months for daycare or commercial purchasers.

U.S.A and Canada: For warranty service or replacement part information, please visit our website at www.littletikes.com, call 1-800-321-0183 or write to: Consumer Service, The Little Tikes Company, 2180 Barlow Road, Hudson OH 44236, U.S.A. Some replacement parts may be available for purchase after warranty expires—contact us for details.

Outside U.S.A and Canada: Contact place of purchase for warranty service. This warranty gives you specific legal rights, and you may also have other rights, which vary from country/state to country/state. Some countries/states do not allow the exclusion or limitation of incidental or consequential damages, so the above limitation or exclusion may not apply to you.



CUSTOMER SERVICE:

United States:

www.littletikes.com
1-800-321-0183 Monday - Friday
The Little Tikes Company
2180 Barlow Road, Hudson, OH 44236

Printed in U.S.A. D.R.©2022 The Little Tikes Company

United Kingdom:

www.littletikes.co.uk
MGA Consumer Services
P.O. Box 2040 Hockley, Essex, SS5 4BF
Phone: 0 800 521 558
E-mail: support@Littletikesstore.co.uk

Australia

www.littletikes.com.au
MGA Entertainment Australia PTY LTD.
Suite 2.02, 32 Delhi Road, Macquarie Park NSW 2113, AU.
Phone: 1 300 059 676
Email: au-sales@mgae.com

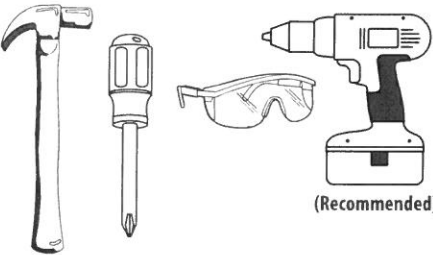
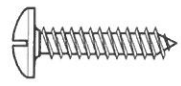

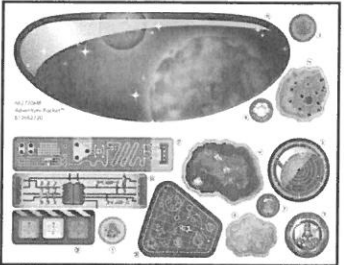


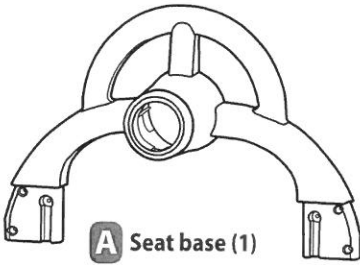
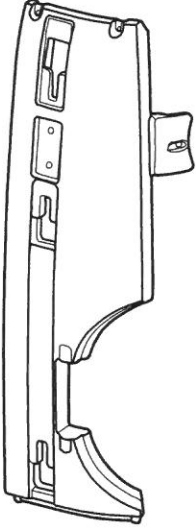
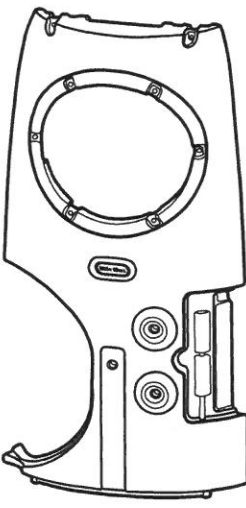
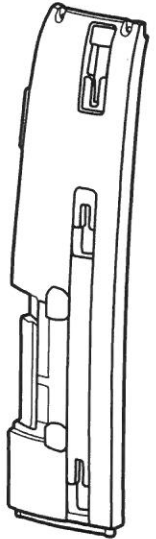
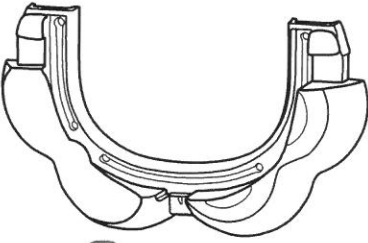
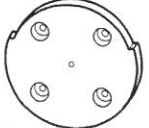
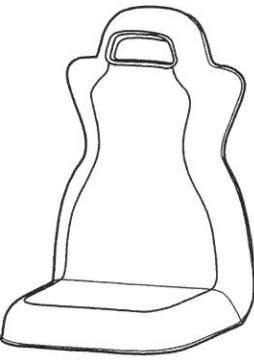
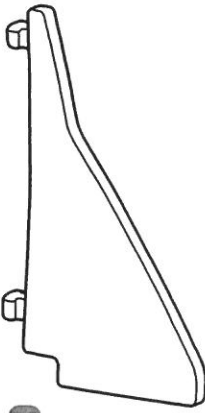
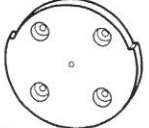
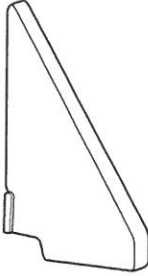
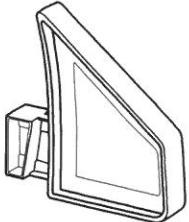
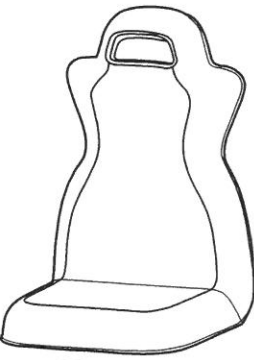
Points de collecte sur www.quefairede mesdechets.fr
Privilégiez la réparation ou le don de votre appareil !

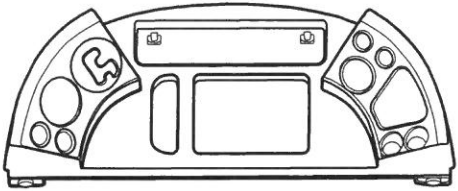
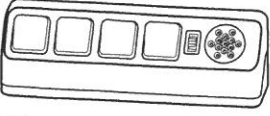
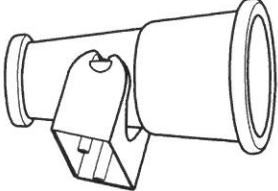
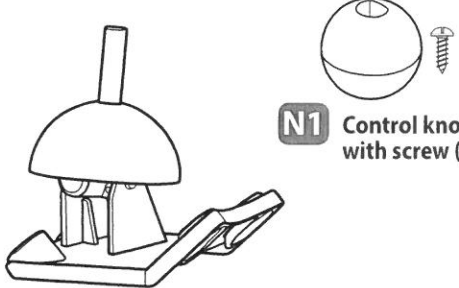
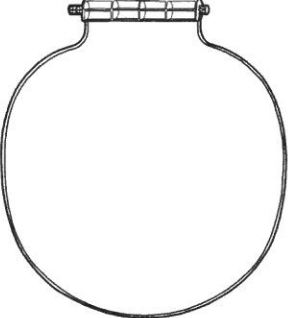
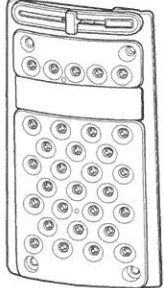
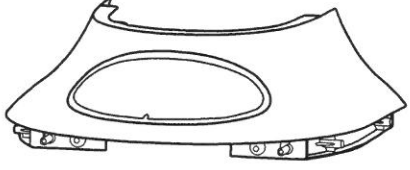
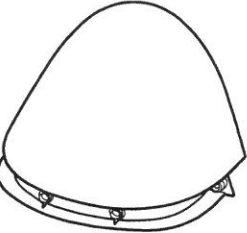
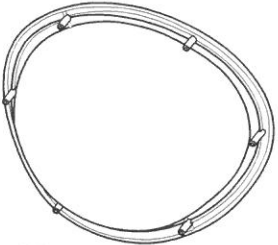
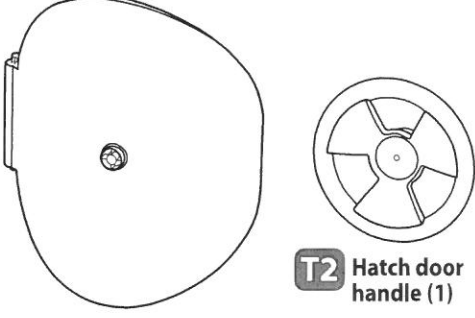
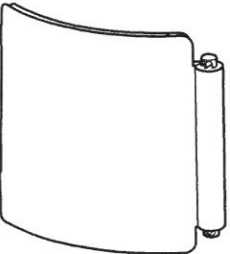
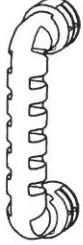
A Few Things Before You Start!

BEFORE you begin assembly, make sure you have all the parts listed below.

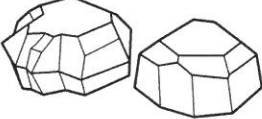
- ! Some packages of hardware may have extra pieces.
- ! Questions? We're here to help.
Little Tikes customer service team at 1-800-321-0183.

<p>Tools required (not included)</p>  <p style="text-align: center;">(Recommended)</p>	<p>Shown actual size</p> <p>(50) 3/4" (1.9 cm)</p> 	 <p>(1) Decal sheet is located in the hardware bag.</p> 
--	---	--

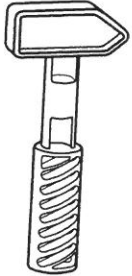
 <p>A Seat base (1)</p>	 <p>C Circle door wall (1)</p>	 <p>D Bubble window wall (1)</p>	 <p>E Circuit door wall (1)</p>
 <p>B Wall base (1)</p>	 <p>G Seat plate (1)</p>	 <p>F Seat (1)</p>	 <p>H Tall wings (2)</p>
 <p>G Seat plate (1)</p>	 <p>I Center wing (1)</p>	 <p>J Small wings (2)</p>	 <p>F Seat (1)</p>

 <p>K Console (1)</p>	 <p>L Electronic module (1)</p>	 <p>M Telescope (1)</p>
 <p>N1 Control knob with screw (1)</p> <p>N2 Control (1)</p>	 <p>O Star viewer window (1)</p>	 <p>P Circuit panel (1)</p>
 <p>Q Nose cone base (1)</p>	 <p>R Nose cone (1)</p>	 <p>S Bubble window (1)</p>
 <p>T1 Hatch door (1)</p> <p>T2 Hatch door handle (1)</p>	 <p>U Circuit panel door (1)</p>	 <p>V Handle (1)</p>


Accessories



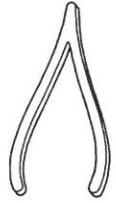
Space rocks (2)



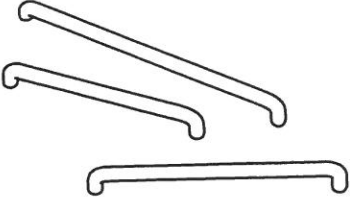
Chisel (1)



Magnifier (1)



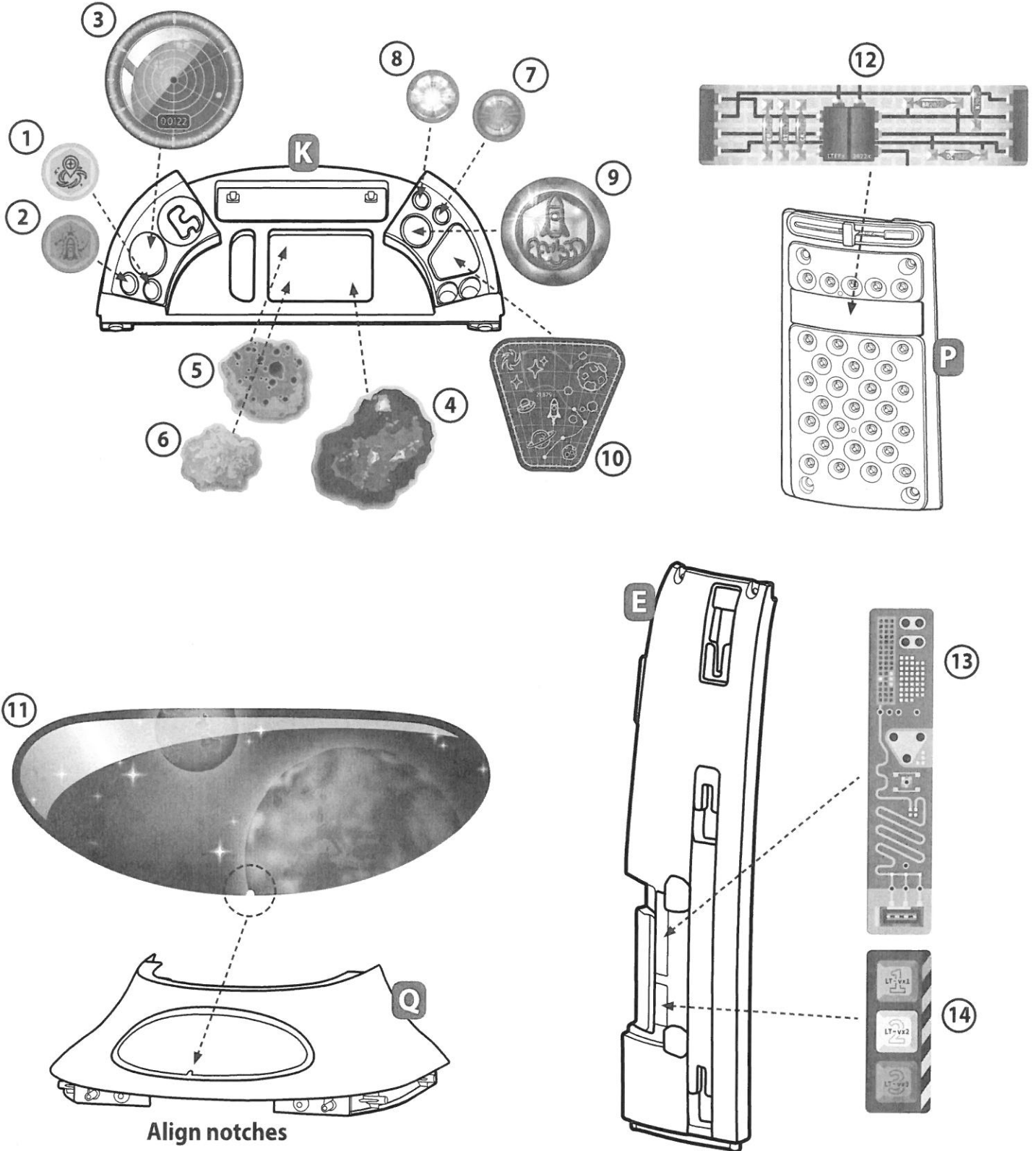
Tweezers (1)



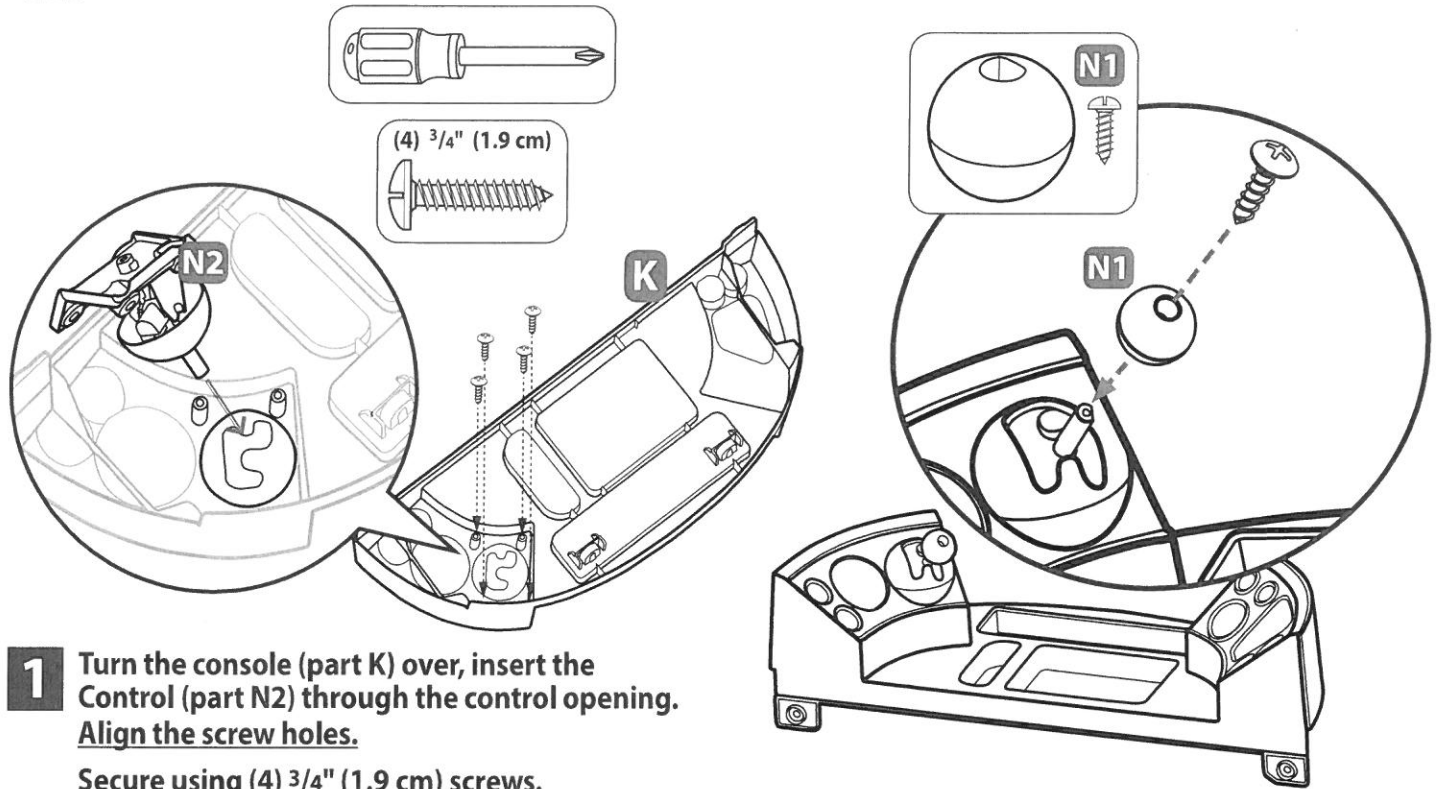
Circuit wires (3)

1 Ready...let's start with decals!

Decals must be applied to a clean, dry surface. Wipe clean with a dry rag before application. Remove air from under decals by applying pressure to the decals starting from the center, and work towards edges. NOTE: If decals bubble, prick with a pin to remove the air.



2 Let's get controls up and running

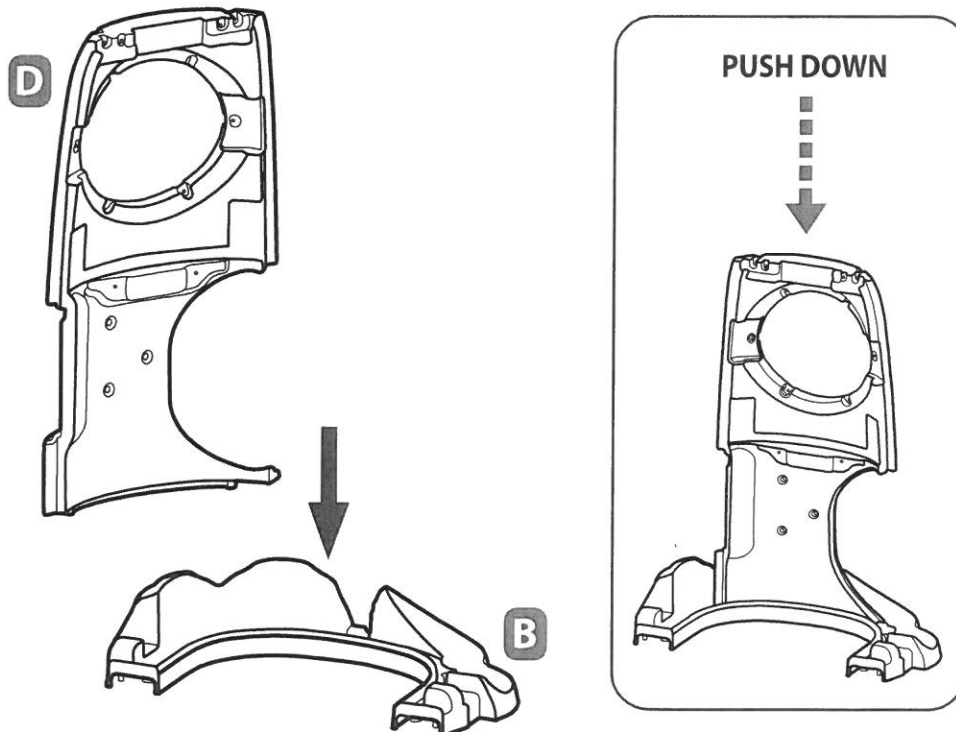


1 Turn the console (part K) over, insert the Control (part N2) through the control opening. Align the screw holes.
Secure using (4) 3/4" (1.9 cm) screws.

2 Insert control knob with screw (part N1) onto control. Secure using screw.

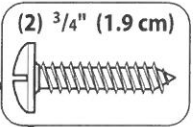
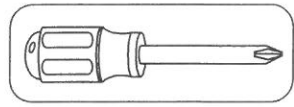
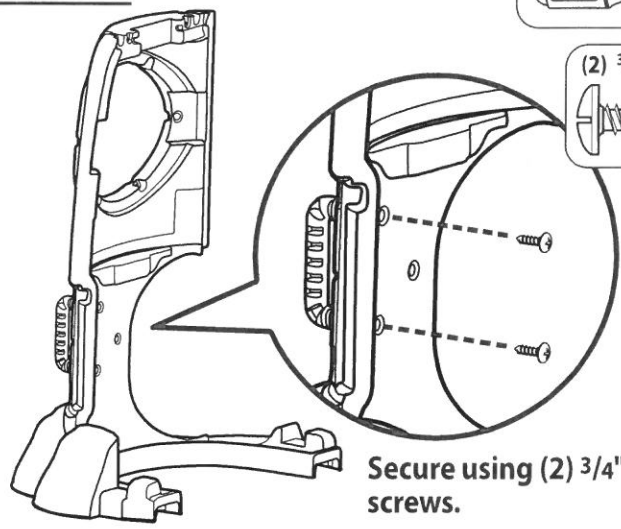
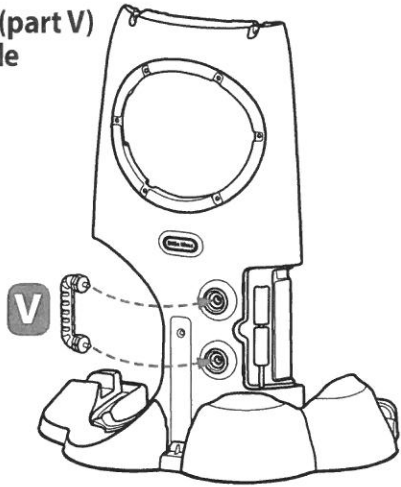
3 Window wall !

Fit the bubble window wall (part D) into the center area on the wall base (part B).



4 Good time for the handle

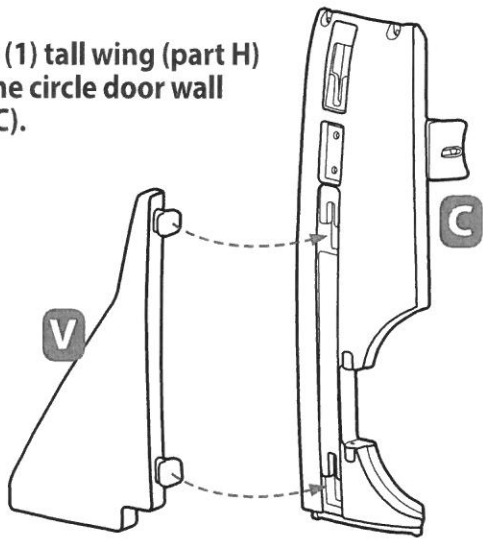
Insert handle (part V) into the bubble window wall.



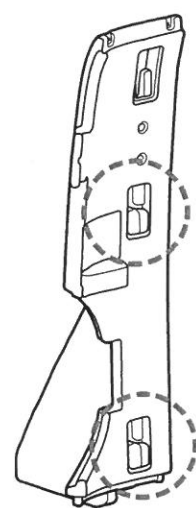
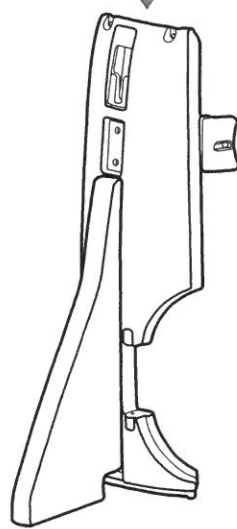
Secure using (2) 3/4" (1.9 cm) screws.

5 Rocket needs wings!

Insert (1) tall wing (part H) into the circle door wall (part C).

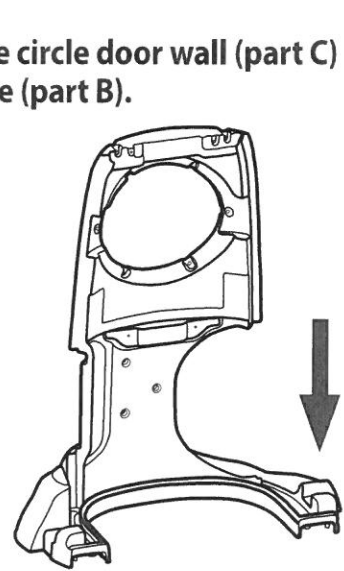


PUSH DOWN

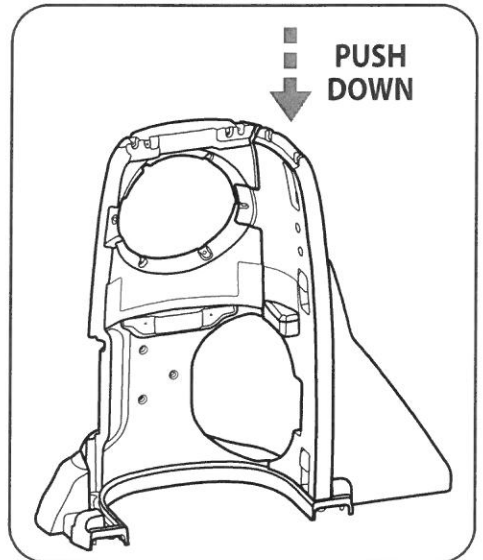


Check the inside of the wall...wing should be fully seated.

Insert the bubble circle door wall (part C) into the wall base (part B).

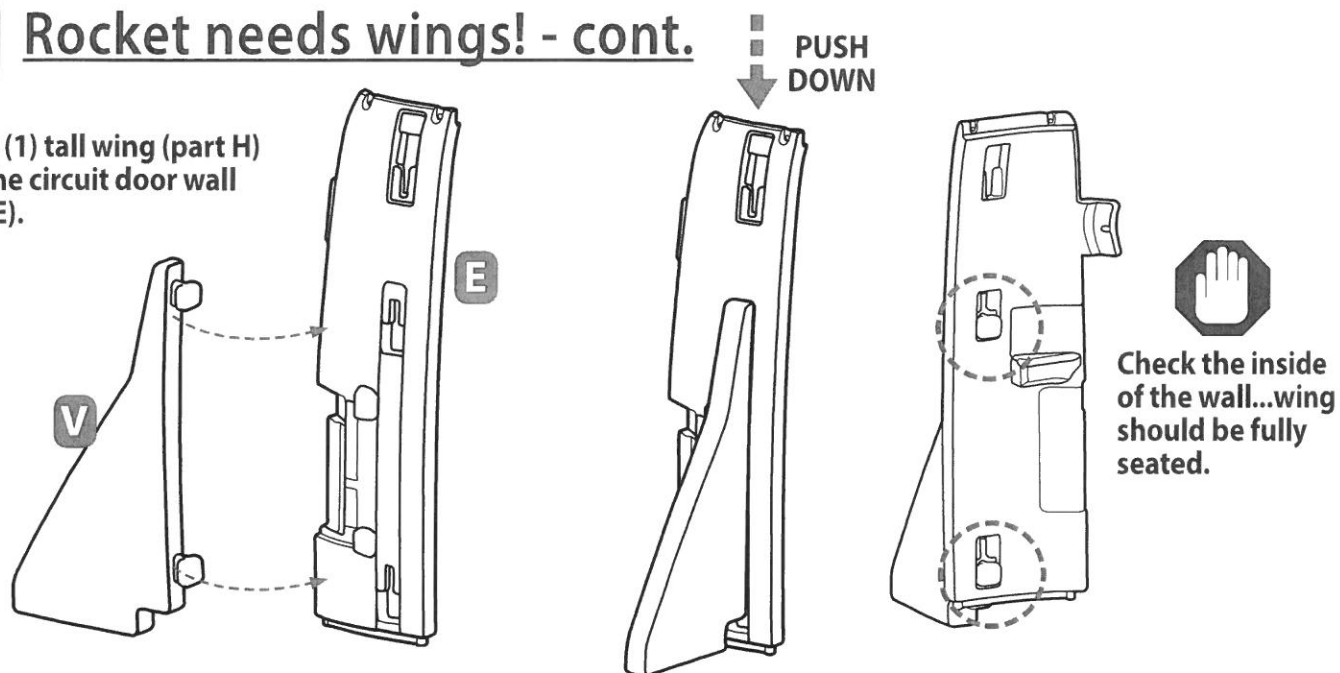


PUSH DOWN

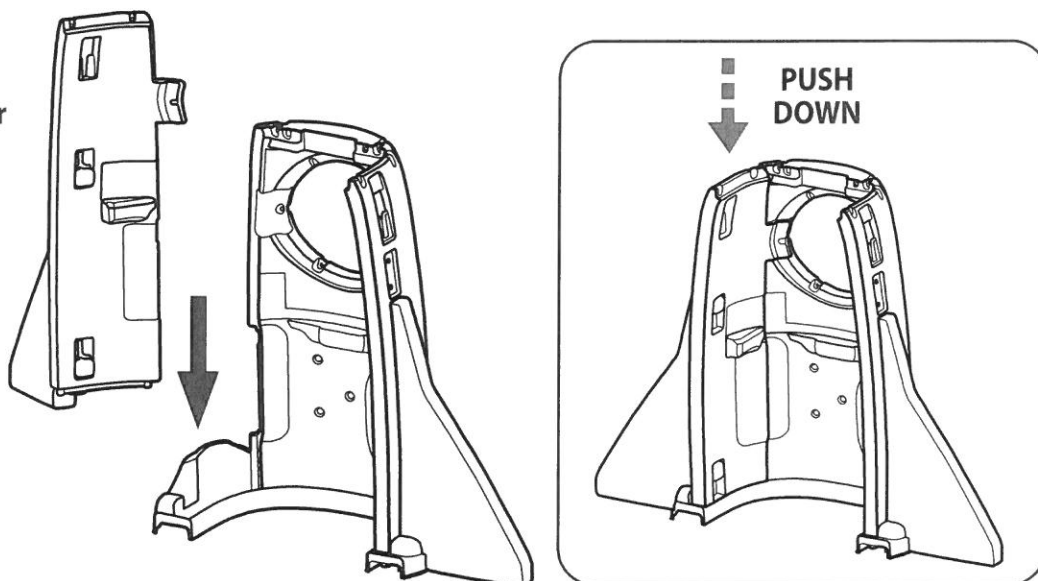


5 Rocket needs wings! - cont.

Insert (1) tall wing (part H) into the circuit door wall (part E).



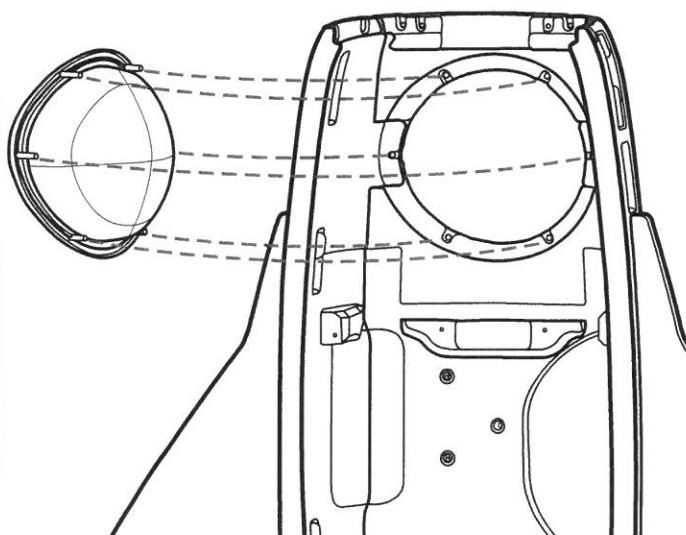
Insert the circuit door wall (part E) into the wall base (part B).



6 A window to the stars...

Insert the Bubble window (part S) through the rocketship. Align the screw holes.

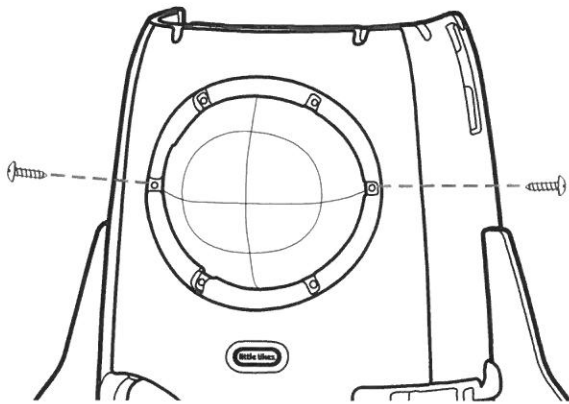
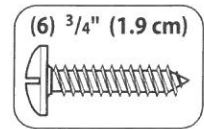
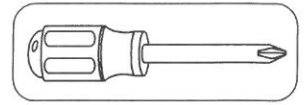
S



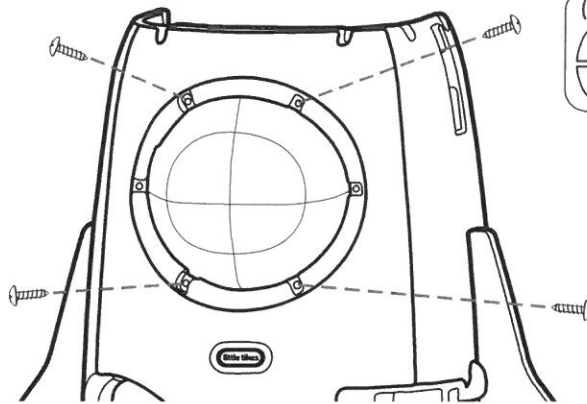
Hint: the part number located on the bubble window will be positioned at the top of the rocketship when inserted correctly.



6 A window to the stars - cont.



Secure using (2) $\frac{3}{4}$ " (1.9 cm) screws.

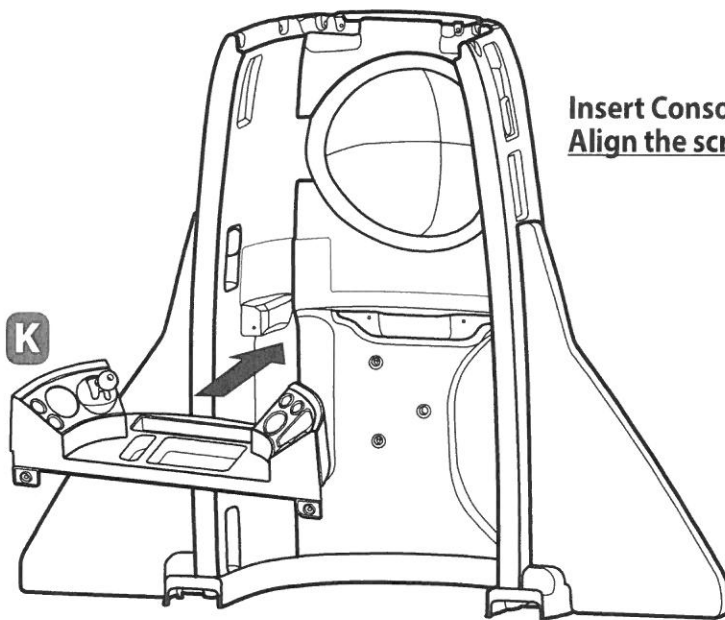


Secure using (4) $\frac{3}{4}$ " (1.9 cm) screws.

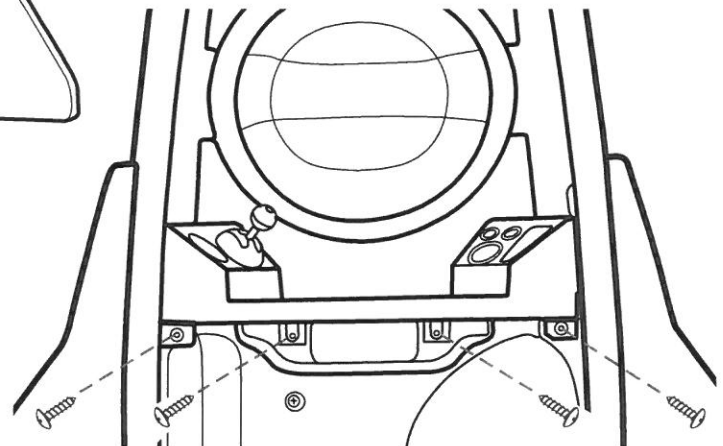
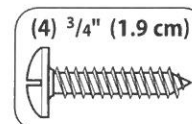
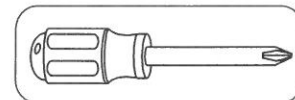


Hint: follow the above order of screw assembly for an even fit.

7 Slide in mission control...

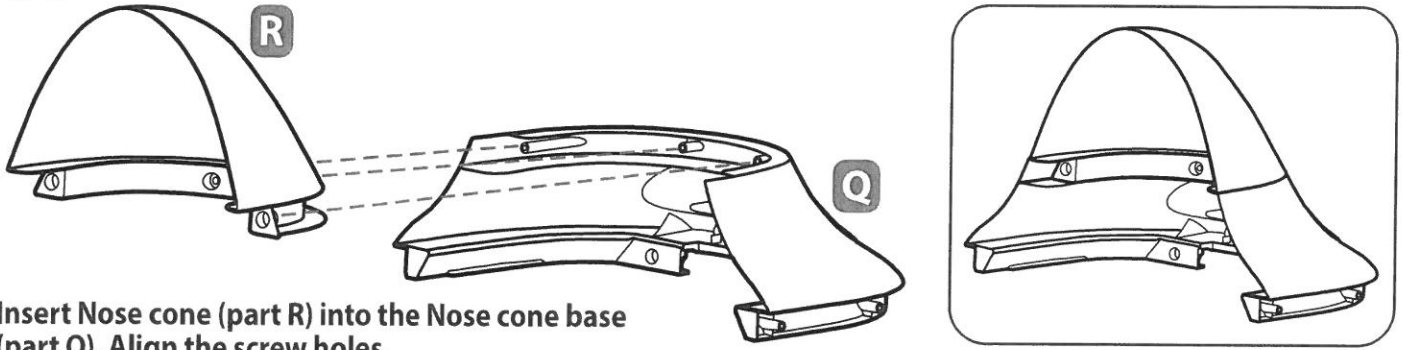


Insert Console (part K) into the rocket.
Align the screw holes.

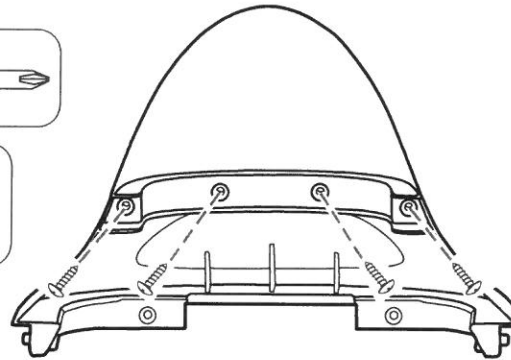
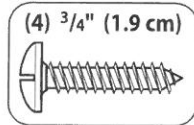
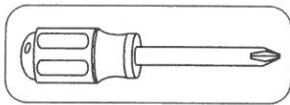


Secure using (4) $\frac{3}{4}$ " (1.9 cm) screws.

8 Nose cone to nose cone base...

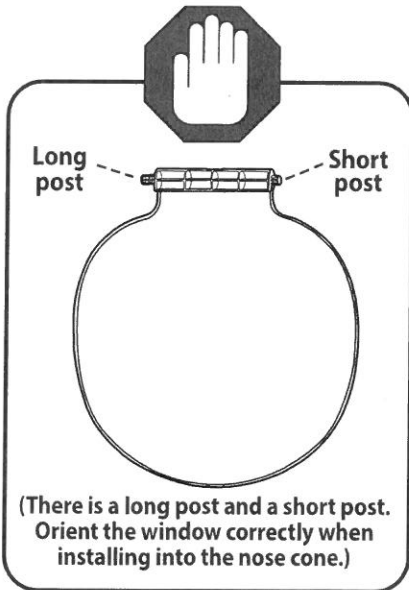


Insert Nose cone (part R) into the Nose cone base (part Q). Align the screw holes.

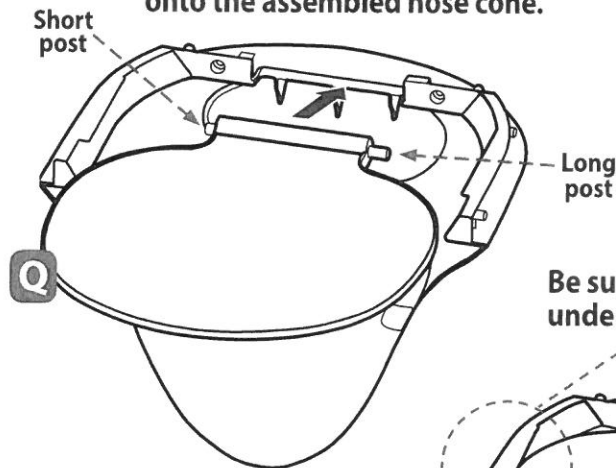


Secure using (4) $\frac{3}{4}$ " (1.9 cm) screws.

9 Add a star viewer window...



Place the Star viewer window (part Q) onto the assembled nose cone.

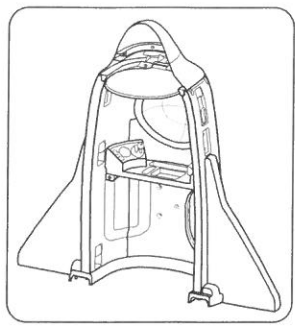
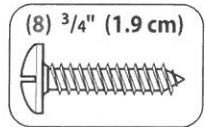
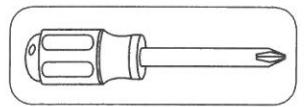


Be sure window is positioned under edge of nose cone.

10

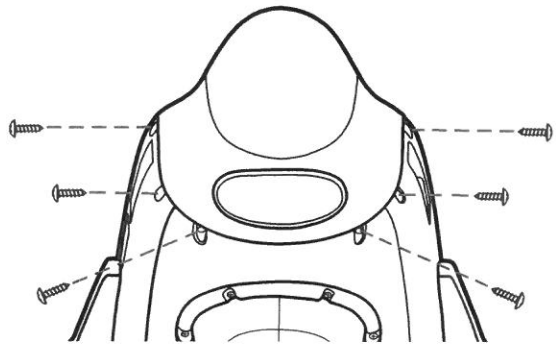
Rocket top...

Assemble nose cone onto the rocket).
Align the screw holes.

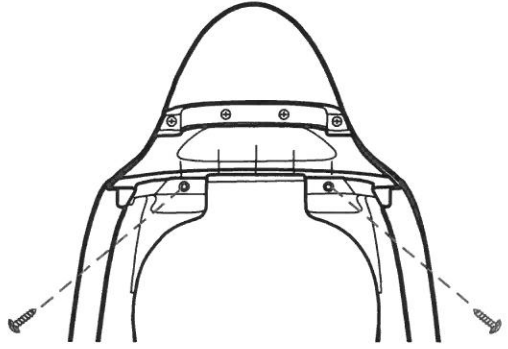


OUTSIDE of rocket nose cone

INSIDE of rocket nose cone



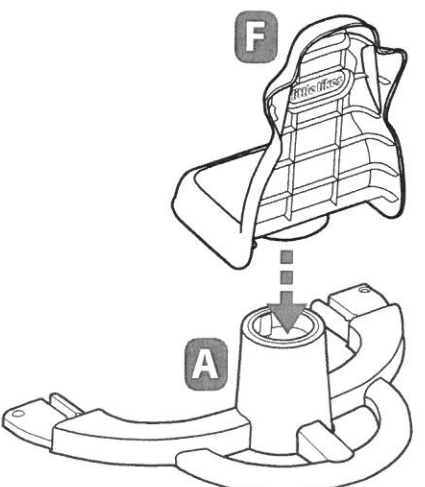
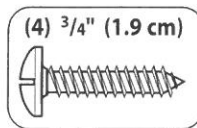
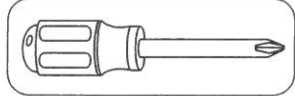
Secure using (6) 3/4" (1.9 cm) screws.



Secure using (2) 3/4" (1.9 cm) screws.

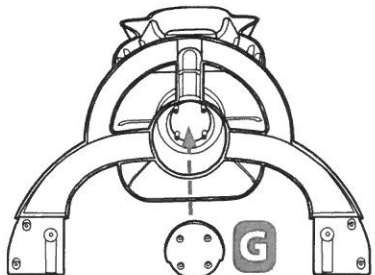
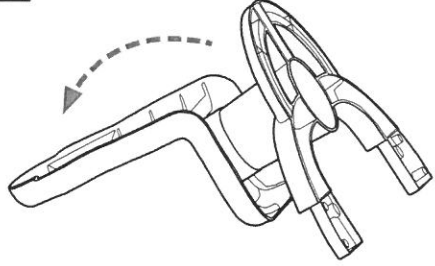
11

1, 2, 3 and you have a chair

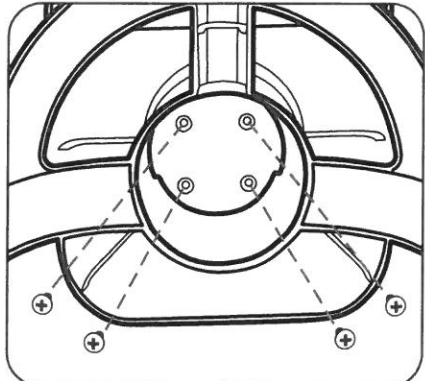


1 Insert Seat (part F) onto the Seat base (part A).

2 Turn seat and base on its side.

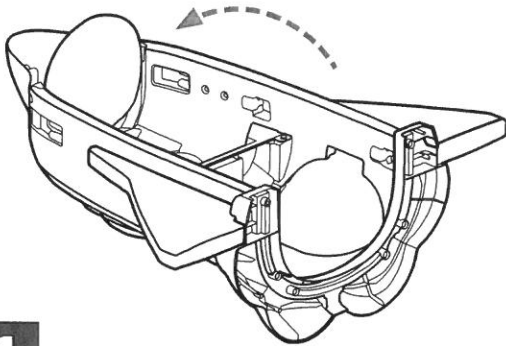


Fit the Seat plate (part G) onto the Seat base. Align the screw holes.

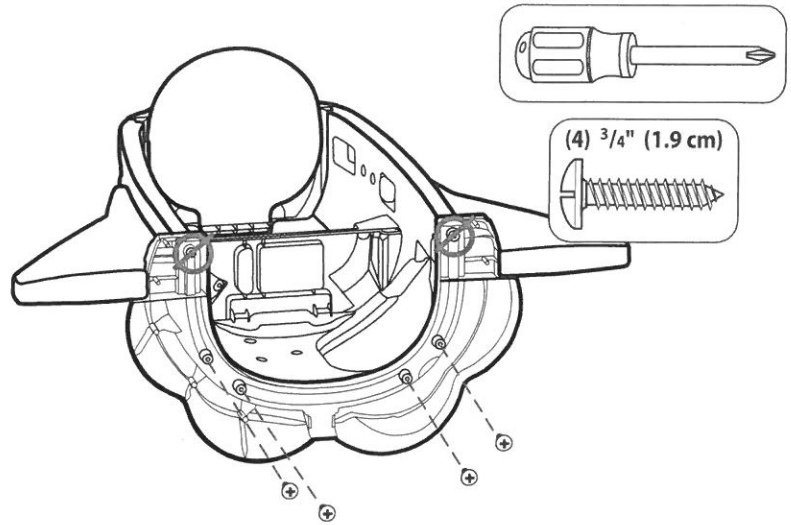


3 Secure using (4) 3/4" (1.9 cm) screws.

12 Secure the base...



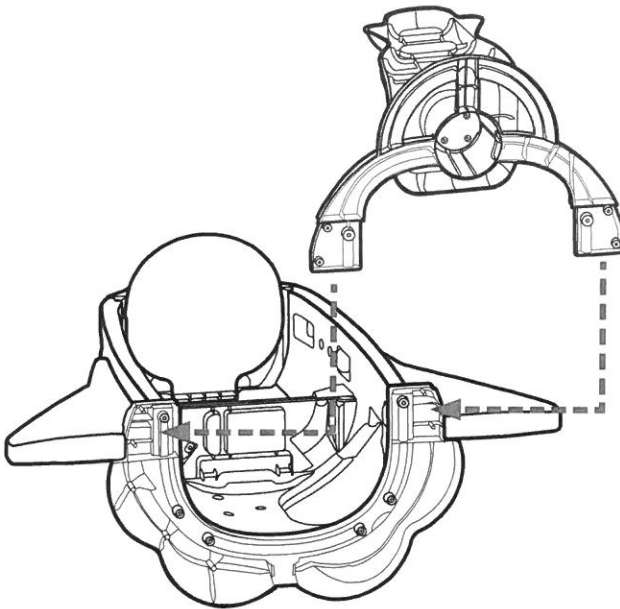
1 Turn rocketship on its side.



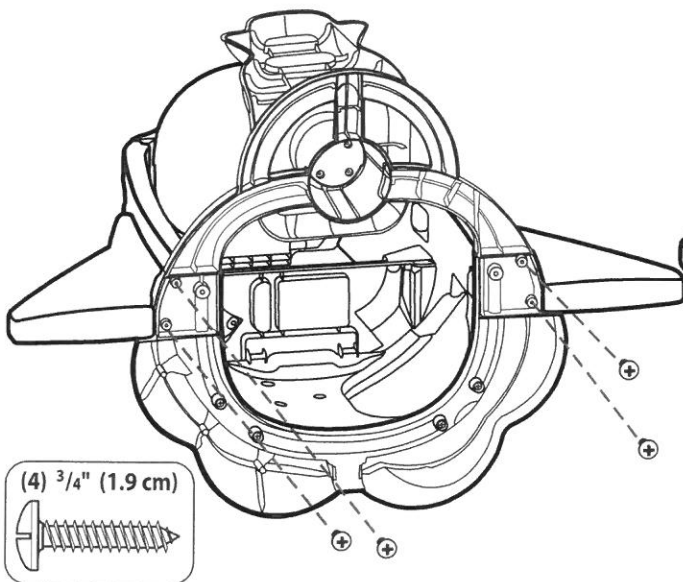
Secure the base to the walls using (4) $\frac{3}{4}$ " (1.9 cm) screws.



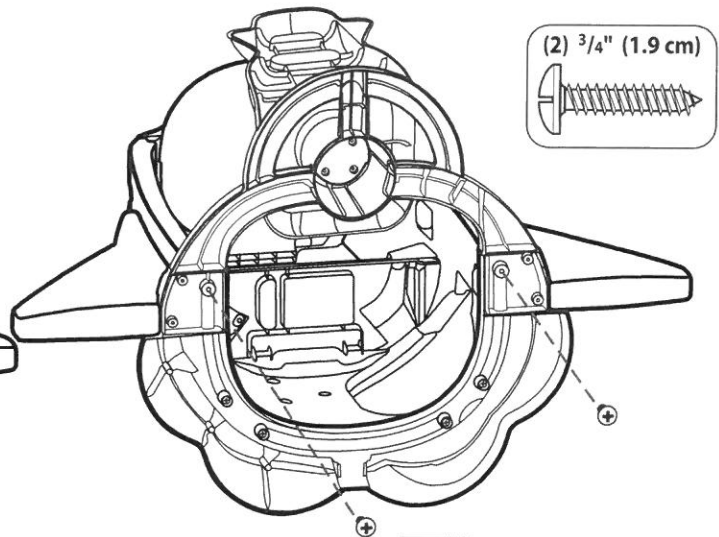
These locations DO NOT Have starter holes.
To create a starter hole for screw:
• Place screw in small recess designated for the screw and tap screw with hammer.



2 Fit the assembled seat onto the base.
Align the screw holes.



3 Secure using (4) $\frac{3}{4}$ " (1.9 cm) screws.



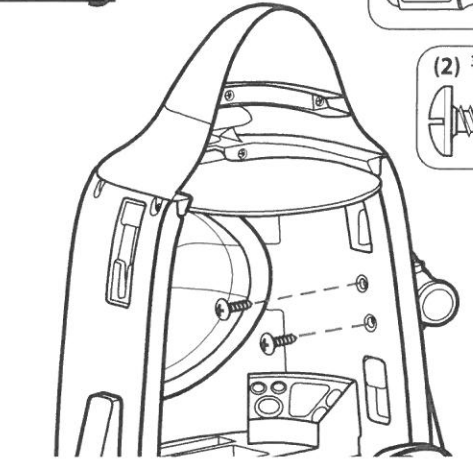
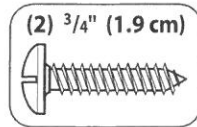
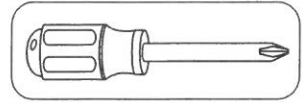
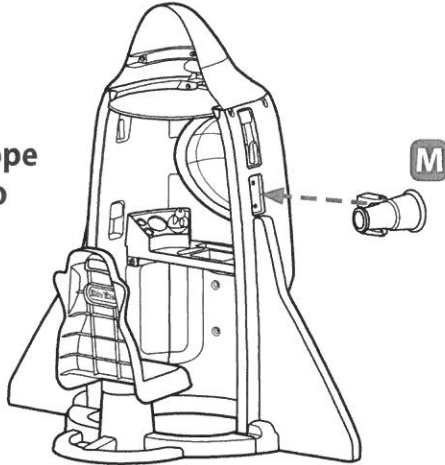
4 Secure using (2) $\frac{3}{4}$ " (1.9 cm) screws.



These locations DO NOT Have starter holes.
To create a starter hole for screw:
• Place screw in small recess designated for the screw and tap screw with hammer.

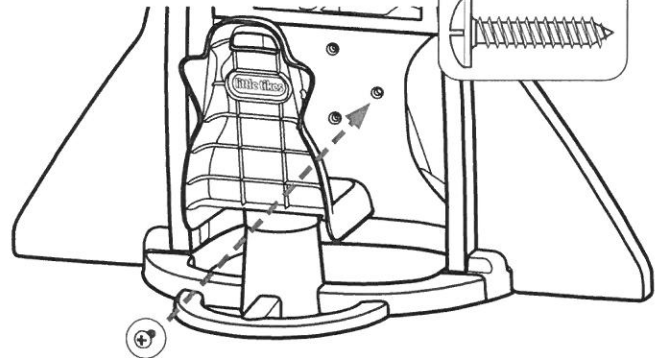
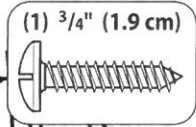
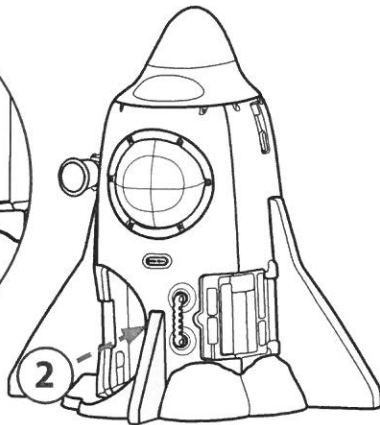
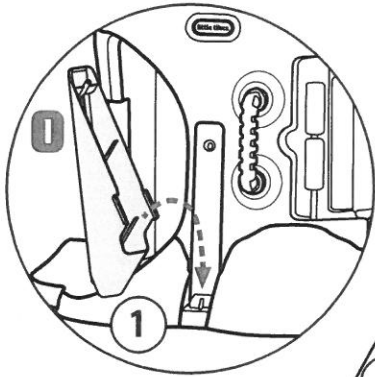
13 Telescope and Center wing

Place telescope (part M) onto rocket wall.



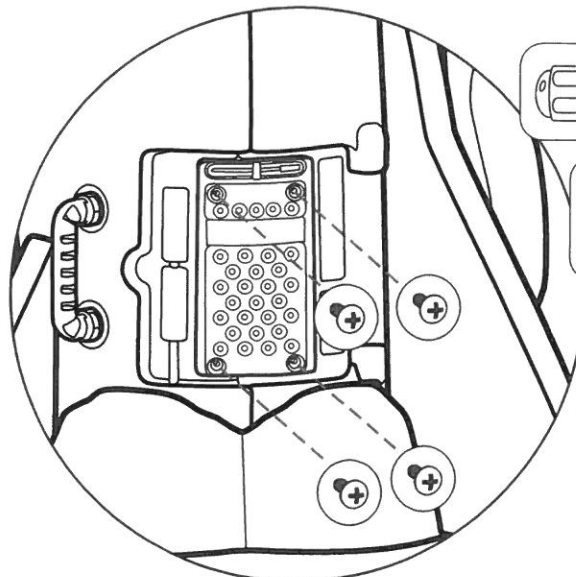
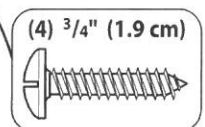
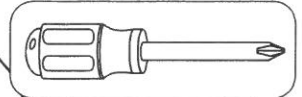
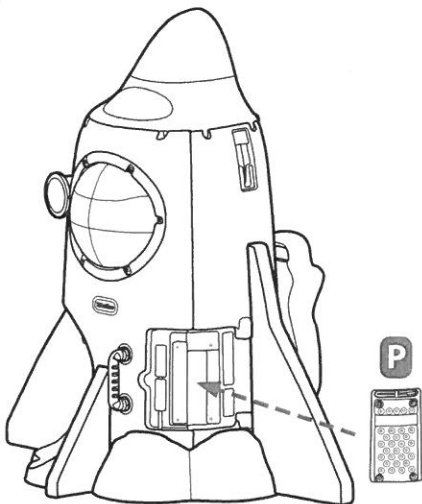
Secure using (2) $\frac{3}{4}$ " (1.9 cm) screws.

Place the center wing (part I) onto the rocket.



Secure using (1) $\frac{3}{4}$ " (1.9 cm) screws.

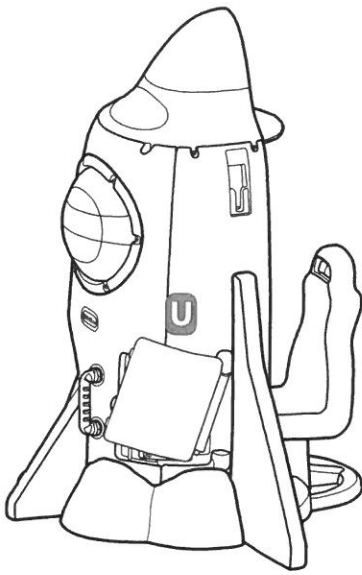
14 Circuit panel...



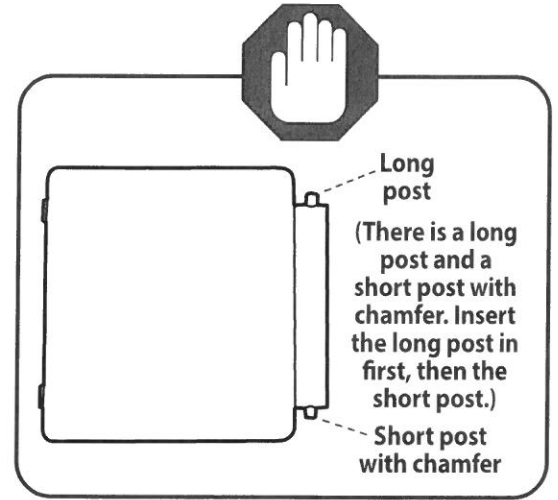
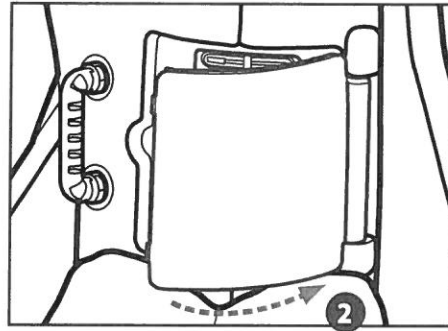
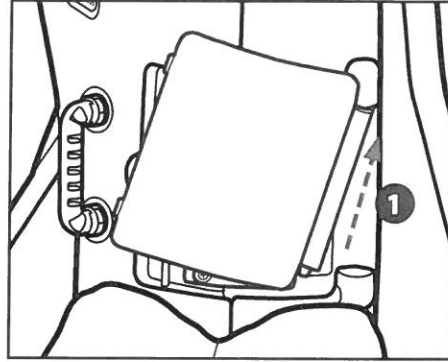
Place circuit panel (part P) onto rocket wall. Align the screw holes.

Secure using (4) $\frac{3}{4}$ " (1.9 cm) screws.

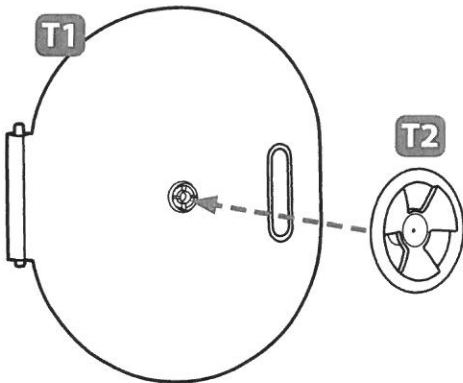
15 Circuit panel door...



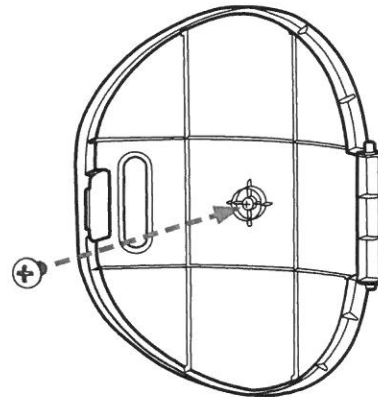
Place circuit panel door (part P) onto rocket wall.



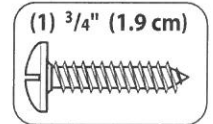
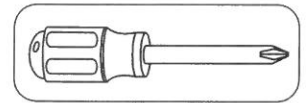
16 Hatch door...



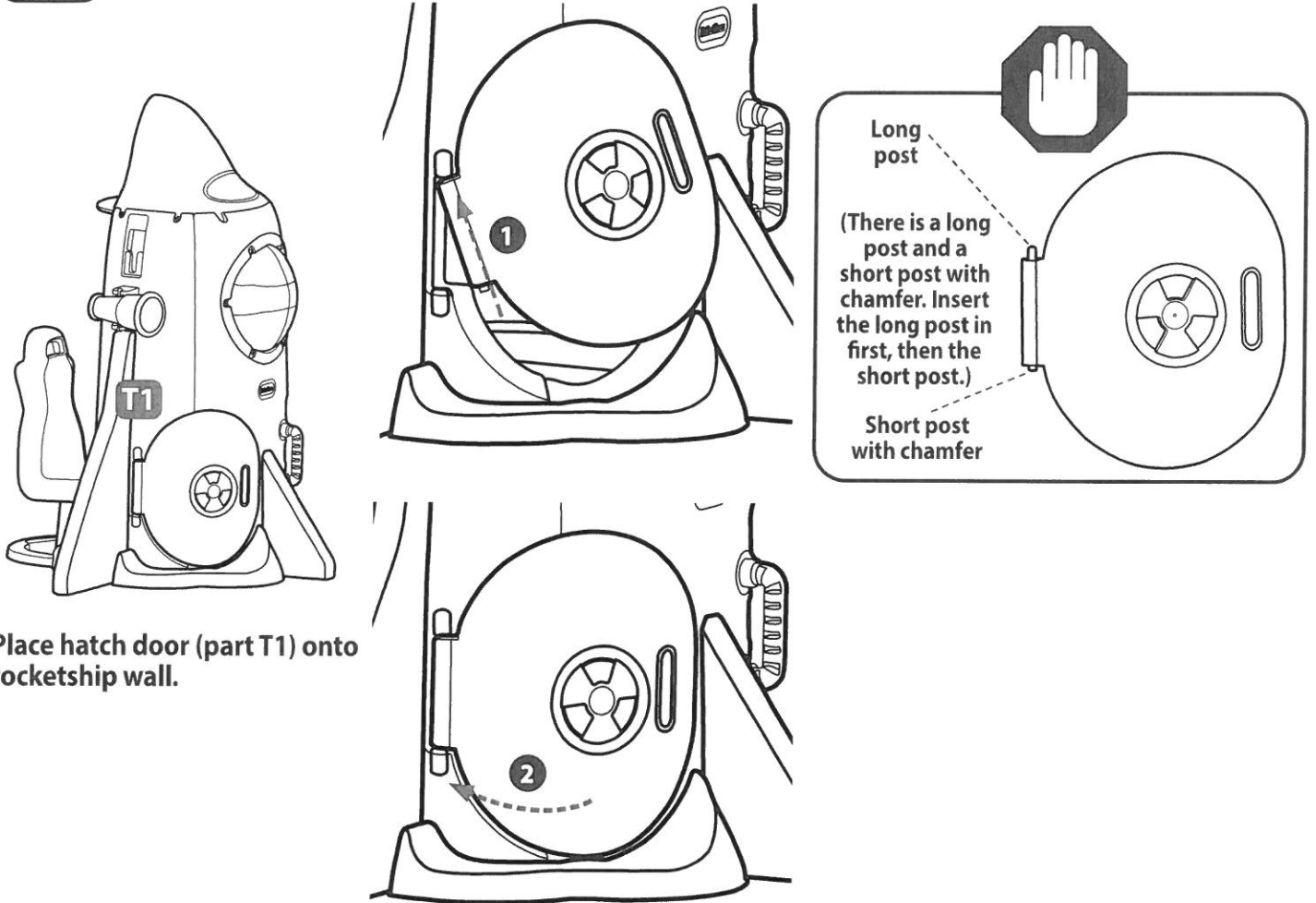
Place hatch door handle (part T2) onto hatch door (part T1).



Secure using (1) 3/4" (1.9 cm) screws.

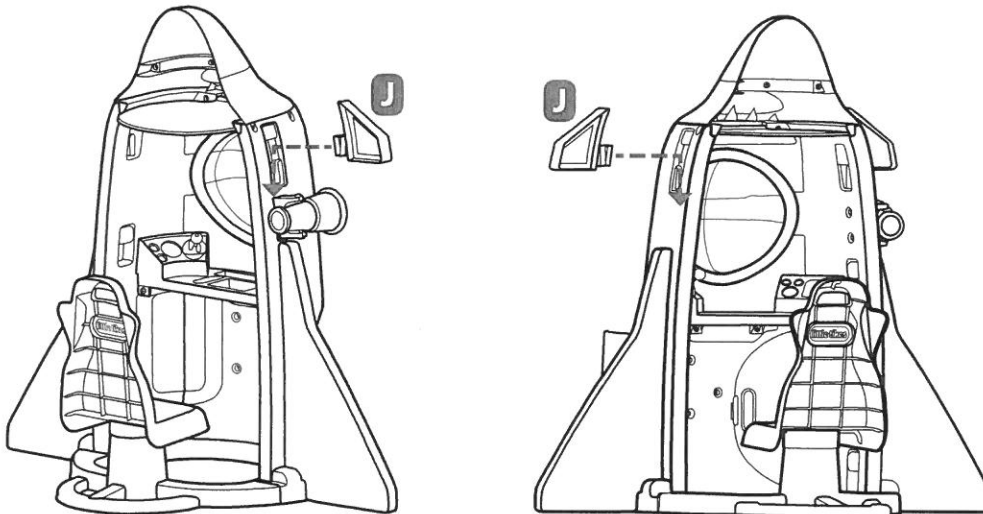


16 Hatch door...



Place hatch door (part T1) onto rocketship wall.

17 Final wings...



Insert small wing (part J) into rocketship. Push down to secure.

Insert small wing (part J) into rocketship. Push down to secure.

18

Batteries next...

Before playing, an adult must install fresh alkaline batteries in the electronics module (part L). Here's how:

Battery installation **MUST** be completed by an adult:

1. Using a Phillips screwdriver (not included) remove the screw and battery compartment cover from the electronics module (part L).
2. Install three (3) fresh 1.5V AA (LR6) alkaline batteries (not included), making sure the (+) and (-) ends face the proper direction as indicated inside the battery compartment.
3. Replace the compartment cover and tighten the screws.

