

LIMITED WARRANTY

The Little Tikes Company makes fun, high quality toys. We warrant to the original purchaser that this product is free of defects in materials or workmanship for one year * from the date of purchase (dated sales receipt is required for proof of purchase). At the sole election of The Little Tikes Company, the only remedies available under this warranty will be the replacement of the defective part or replacement of the product. This warranty is valid only if the product has been assembled and maintained per the instructions. This warranty does not cover abuse, accident, cosmetic issues such as fading or scratches from normal wear, or any other cause not arising from defects in material and workmanship. *The warranty period is three (3) months for daycare or commercial purchasers. **U.S.A and Canada:** For warranty service or replacement part information, please visit our website at www.littletikes.com, call 1-800-321-0183 or write to: Consumer Service, The Little Tikes Company, 2180 Barlow Road, Hudson OH 44236, U.S.A. Some replacement parts may be available for purchase after warranty expires—contact us for details. **Outside U.S.A and Canada:** Contact place of purchase for warranty service. This warranty gives you specific legal rights, and you may also have other rights, which vary from country/state to country/state. Some countries/states do not allow the exclusion or limitation of incidental or consequential damages, so the above limitation or exclusion may not apply to you.



'Let's care for the environment!'

The wheelie bin symbol indicates that the product and its batteries must not be disposed of with other household waste. Please use designated collection points or recycling facilities when disposing of the item.

Please keep this manual as it contains important information.
Illustrations are for reference only. Styles may vary from actual contents.

© The Little Tikes Company, an MGA Entertainment company. LITTLE TIKES® is a trademark of Little Tikes in the U.S. and other countries. All logos, names, characters, likenesses, images, slogans, and packaging appearance are the property of Little Tikes.

Printed in China

US/CA - Little Tikes Consumer Service
2180 Barlow Road, Hudson, Ohio 44236 U.S.A.
Phone: 1-800-321-0183
E-mail: service@littletikes.com

UK - MGA Entertainment UK Ltd.
50 Presley Way, Crownhill, Milton Keynes, MK8 0ES, Bucks, UK.
Little Tikes Consumer Services
P.O. Box 2040 Hockley, Essex, SS5 4BF
Phone: 0 800 521 558
E-mail: support@littletikesstore.co.uk

EU - MGA Entertainment (Netherlands) B.V. Baronie 68-70,
2404XG, Alphen a/d Rijn, The Netherlands
Tel: +31-172-758-010

AU/NZ - Imported by MGA Entertainment Australia Pty Ltd.
Suite 2.02, 32 Delhi Road,
Macquarie Park NSW 2113. AU.
Tel: 1 300 059 676
Email: au-sales@mgae.com



0822-0-E/INT

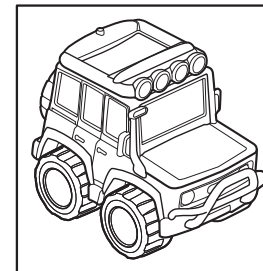


www.littletikes.com
www.littletikes.co.uk
www.littletikes.com.au



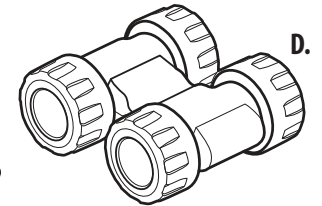
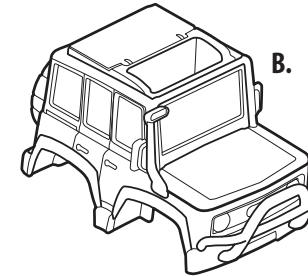
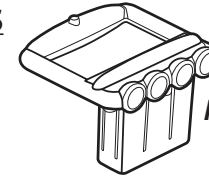
SAFARI SUV

SKU: 662140
AGES 3+ YEARS
ADULT SUPERVISION RECOMMENDED
ADULT ASSEMBLY AND BATTERY
INSTALLATION REQUIRED



CONTENTS

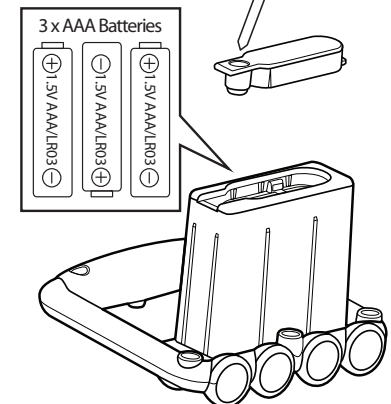
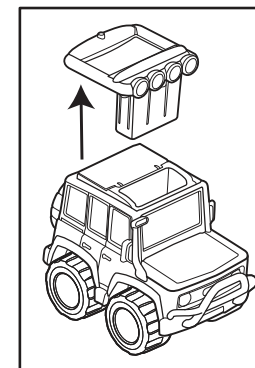
- A. 1 flashlight
- B. 1 SUV body
- C. 1 compass
- D. 1 binoculars



BATTERY INSTALLATION MUST BE COMPLETED BY AN ADULT

Before playing, an adult must install fresh alkaline batteries (not included) in the unit. Here's how:

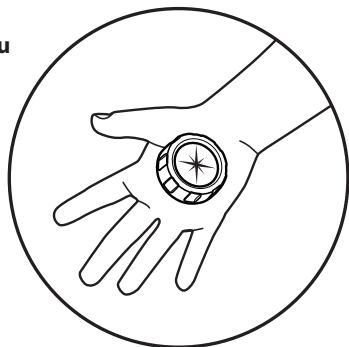
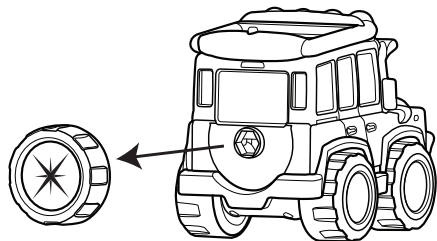
1. Remove flashlight from the Safari SUV.
2. Using a Phillips screwdriver (not included) remove the screw and battery compartment cover from under the flashlight.
3. Install three (3) 1.5V AAA (LR03) alkaline batteries (not included) making sure the (+) and (-) ends face the proper direction as indicated inside the battery compartment.
4. Replace the compartment cover and tighten the screw.



3 Ways to PLAY!!!

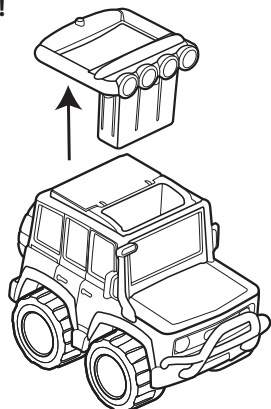
1. STAY ON COURSE...

The compass detaches from the SUV to keep you pointing in the right direction.

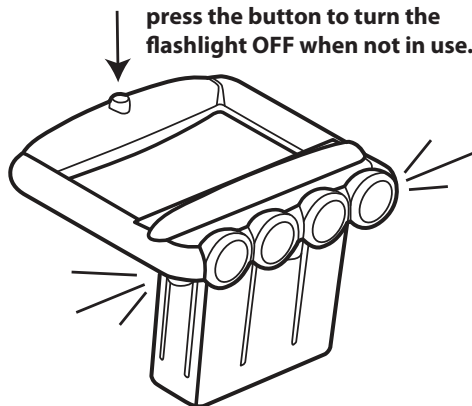


2. LIGHT THE WAY...

Pull up on the headlight bar and you have a flashlight!

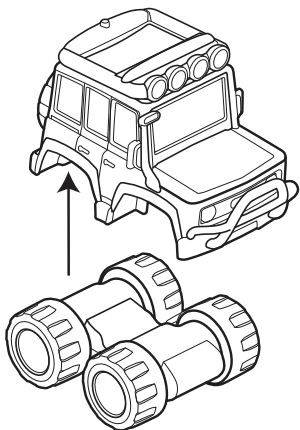


Press to activate lights. To conserve the life of the batteries, be sure to press the button to turn the flashlight OFF when not in use.



3. SEE NEAR AND FAR...

Detach the wheels and you have your very own binoculars!



IMPORTANT INFORMATION

- ADULT ASSEMBLY REQUIRED.
- Keep water away from the battery compartment.
- This toy can be cleaned with a damp (not wet) cloth, please ensure that no moisture enters the electronics or battery compartment.
- Red end of needle in compass points to North.

BATTERY SAFETY INFORMATION

- Use only size "AAA" (LR03) alkaline batteries (3 required).
- Charging of rechargeable batteries should only be done under adult supervision.
- Remove rechargeable batteries from the product before recharging.
- Do not mix old and new batteries.
- Do not mix alkaline, standard (carbon-zinc), or rechargeable batteries.
- Be sure to insert the batteries correctly and follow the toy and battery manufacturer's instruction.
- Always remove exhausted or dead batteries from the product.
- Dispose of dead batteries properly: do not burn or bury them.
- Do not attempt to recharge non-rechargeable batteries.
- Avoid short-circuiting battery terminals.
- Remove batteries before placing the unit into storage for a prolonged period of time.