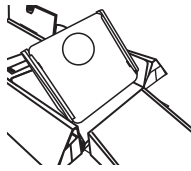


## 4 WAYS TO PLAY!

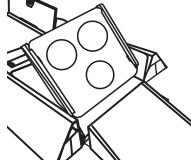
### Basketball:

1. Insert the basketball game plate into the game plate holder and place it in the vertical position inside the playset, making sure the opening is located at the top.
2. Pull back the vehicle to wind it up and then place it inside the launcher.
3. Push down the launcher to release the vehicle and try to make it into the opening.



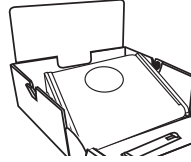
### Rings of Fire:

1. Insert the rings of fire game plate into the game plate holder and place it in the vertical position inside the playset.
2. Pull back the vehicle to wind it up and then place it inside the launcher.
3. Push down the launcher to release the vehicle and try to make it into one of the three rings.



### Cornhole:

1. Insert the cornhole game plate into the game plate holder and place it in the horizontal position inside the playset, making sure the opening is located at the top.
2. Pull back the vehicle to wind it up and then place it inside the launcher.
3. Push down the launcher to release the vehicle and try to make it into the opening.
4. Then the next player takes a turn.



### Arcade Launch:

1. Insert the arcade game plate into the game plate holder and place it in the horizontal position inside the playset.
2. Pull back the vehicle to wind it up and then place it inside the launcher.
3. Push down the launcher to release the vehicle and try to make it into one of the three rings.



## IMPORTANT INFORMATION

- Lay the playset on a flat surface.
- For best results use on a glossy, hard floor.
- Performance may vary according to the type of floor surface.
- It is not recommended to use on carpet.
- Game plate may need to be moved closer to the ramp.
- Keep long hair and other loose objects, like shoelaces, away from the rotating tires of the vehicles.
- DO NOT launch vehicles at people or pets. Avoid obstacles, as they could become damaged from vehicle impact.
- Do not play with cars in the street or where there is vehicular traffic or in heavily traveled areas with pedestrians.
- Do not stand on, sit on or throw cars as doing so can result in injury to the person and irreparable damage to the units.
- Avoid driving the cars through water, mud, etc.
- If not using the playset, it is recommended to drive the cars on hard, flat surface in an open area and away from obstacles.
- Batteries not required.

## LIMITED WARRANTY

The Little Tikes Company makes fun, high quality toys. We warrant to the original purchaser that this product is free of defects in materials or workmanship for one year\* from the date of purchase (dated sales receipt is required for proof of purchase). At the sole election of The Little Tikes Company, the only remedies available under this warranty will be the replacement of the defective part or replacement of the product. This warranty is valid only if the product has been assembled and maintained per the instructions. This warranty does not cover abuse, accident, cosmetic issues such as fading or scratches from normal wear, or any other cause not arising from defects in material and workmanship. \*The warranty period is three (3) months for daycare or commercial purchasers.

**U.S.A. and Canada:** For warranty service or replacement part information, please visit our website at [www.littletikes.com](http://www.littletikes.com), call 1-800-321-0183 or write to: Consumer Service, The Little Tikes Company, 2180 Barlow Road, Hudson OH 44236, U.S.A. Some replacement parts may be available for purchase after warranty expires—contact us for details.

**Outside U.S.A. and Canada:** Contact place of purchase for warranty service. This warranty gives you specific legal rights, and you may also have other rights, which vary from country/state to country/state. Some countries/states do not allow the exclusion or limitation of incidental or consequential damages, so the above limitation or exclusion may not apply to you.

Please keep this manual as it contains important information.



© The Little Tikes Company, an MGA Entertainment company. LITTLE TIKES® is a trademark of Little Tikes in the U.S. and other countries. All logos, names, characters, likenesses, images, slogans, and packaging appearance are the property of Little Tikes.

Printed in China  
0422-1-E/INT



[www.littletikes.com](http://www.littletikes.com)  
[www.littletikes.co.uk](http://www.littletikes.co.uk)  
[www.littletikes.com.au](http://www.littletikes.com.au)

**Little Tikes Consumer Service**  
2180 Barlow Road,  
Hudson, Ohio 44236 U.S.A.  
1-800-321-0183

**MGA Entertainment UK Ltd.**  
50 Presley Way, Crownhill, Milton  
Keynes, MK8 0ES, Bucks, UK  
support@LittleTikesStore.co.uk  
Tel: +0 800 521 558

**MGA Entertainment (Netherlands) B.V.**  
Baronie 68-70, 2404 XG Alphen a/d Rijn,  
The Netherlands  
Tel: +31 (0) 172 758038

**Imported by MGA Entertainment  
Australia Pty Ltd**  
Suite 2.02, 32 Delhi Road  
Macquarie Park NSW 2113  
1300 059 676



SKU: 661075

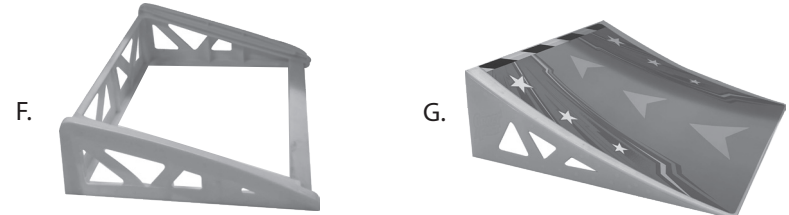
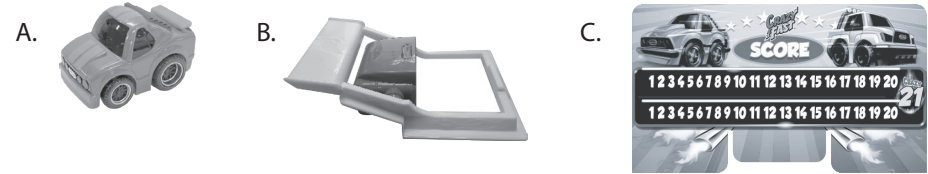
## 4-in-1 Dunk'n, Stunt'n, Game'n Set™

AGES 3+ YEARS

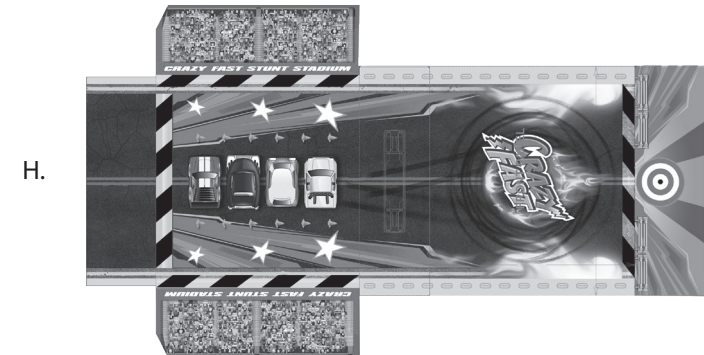
ADULT SUPERVISION REQUIRED

## CONTENTS

- A. 1 Vehicle    B. 1 Launcher    C. 1 Scoreboard    D. 2 Scoreboard Trackers    E. 2 Double-Sided Game Plates  
F. 1 Game Plate Holder    G. 1 Ramp    H. Playset (Packaging Box)



FOR INSTRUCTIONAL VIDEO:



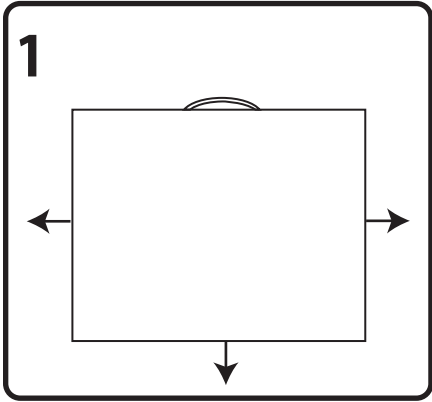
H.

Illustrations are for reference only. Styles may vary from actual contents.

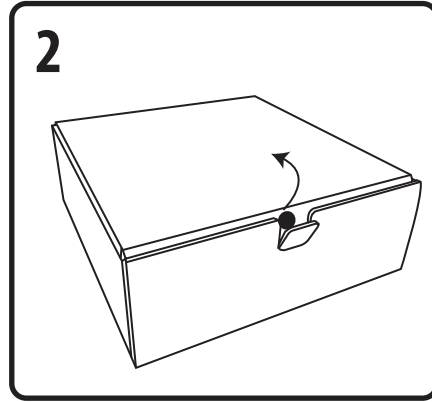
Please remove all packaging including tags, ties & tacking stitches before giving this product to a child.

## SET THE PLAYSET

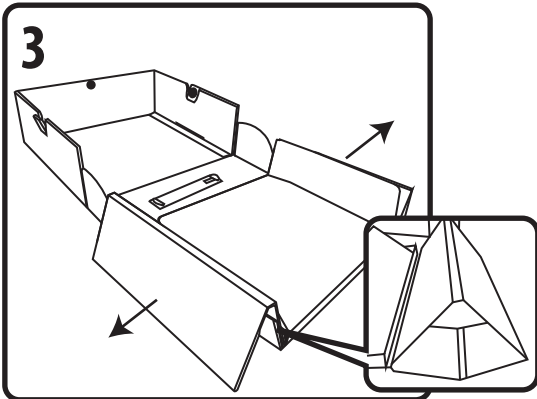
Packaging turns into playset!



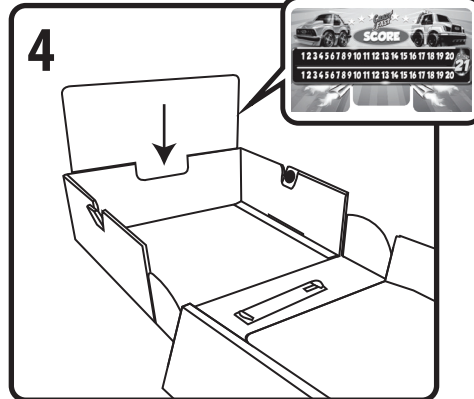
1 Detach the hook and loop fasteners from the sides and bottom of box.



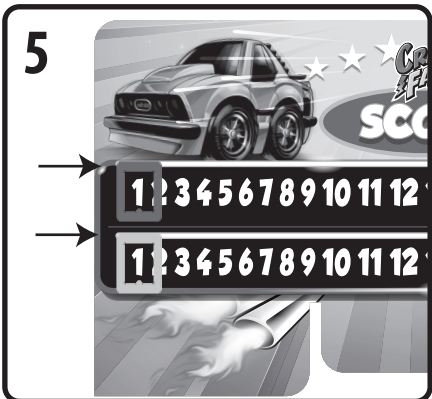
2 Lift the top and open the box. Remove all the contents from the box and set aside.



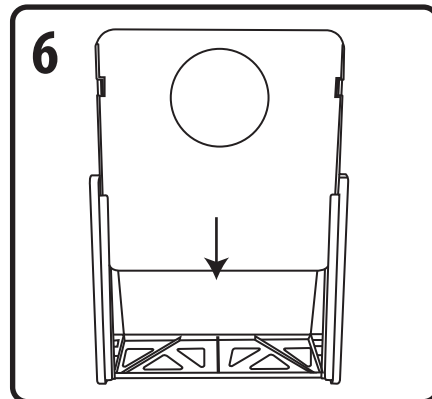
3 Carefully pull out the sides to extend the stages.



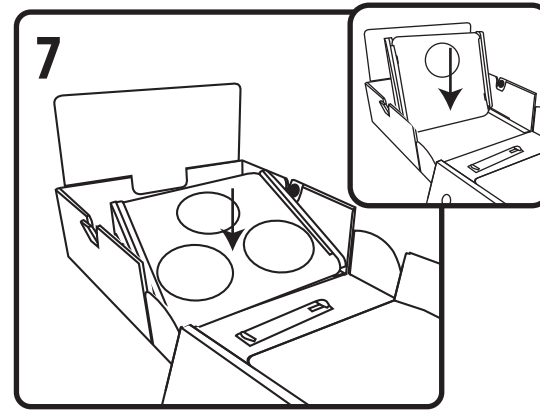
4 Insert the scoreboard to the top of the box by sliding the middle tab of the scoreboard onto the edge of the box.



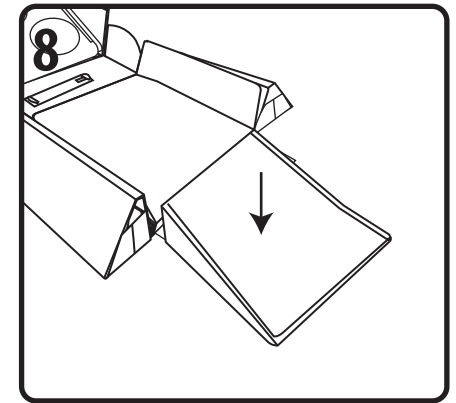
5 Attach the scoreboard clips into the slits on the scoreboard. Keep score by sliding the clips left or right.



6 Insert the desired game plate into the game plate holder.



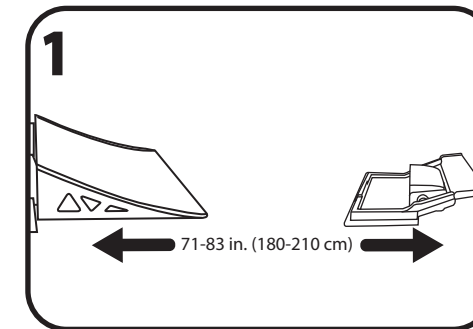
7 Place the game plate holder horizontal or vertical inside the box.



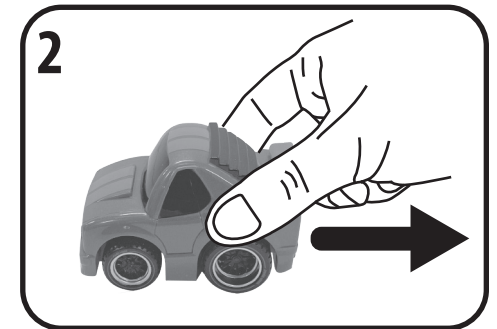
8 Place the ramp.

## TIME TO PLAY!

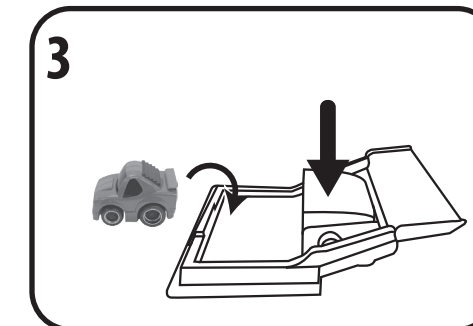
Most Crazy Fast™ vehicles can be used with the playset, but performance will vary. (Only one vehicle included with this set.)



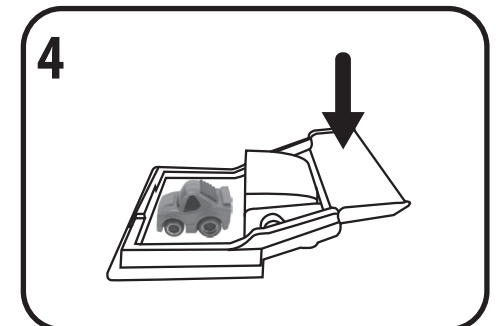
1 Place the launcher at least 71-83 in. (180-210 cm) away from the ramp, making sure the launcher is facing the ramp.  
NOTE: Adjust the distance as needed.



2 Pull the vehicle back until you hear one or two clicks.  
**IMPORTANT NOTE: Do not continue pulling after you hear one or two clicks.**



3 Hold the back wheels of the vehicle and lift it to place inside the launcher.  
**IMPORTANT NOTE: Hold down the center of the launcher so it stays in place after inserting the car.**



4 Push down the launcher to release the vehicle.