



LET'S GO **COZY COUPE**
CONSTRUCTION VEHICLES

SKU: 661266

AGES 3+
ADULT SUPERVISION REQUIRED

CONTENTS

A. 2 Excavators

B. 1 Cloth

C. 1 Wrecking Ball

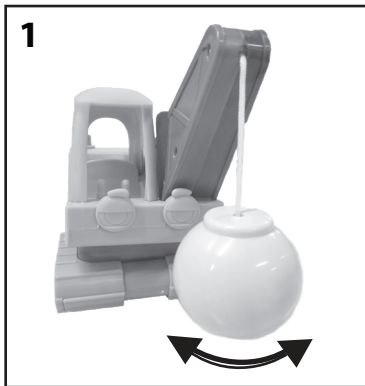


Illustrations are for reference only. Styles may vary from actual contents.

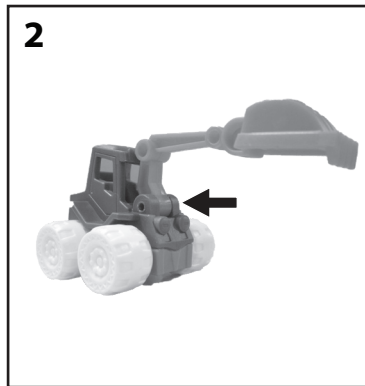
Please remove all packaging including tags, ties & tacking stitches before giving this product to a child.

QUICK START

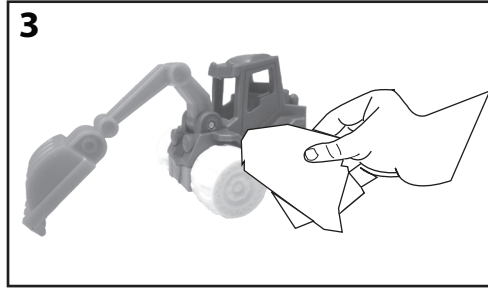
Before beginning, cover the play area to prevent possible water damage.



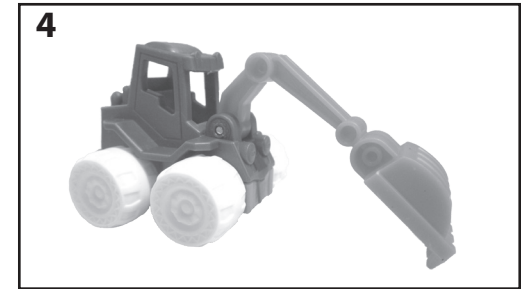
Wrecking ball: Roll the vehicle to your site and swing the wrecking ball back and forth. Push down on the vehicle to make it squeak.



Excavators: Bend the arm and scoop up and down at the adjustable points seen above.



Excavators: Dip a dry cloth into ice cold water. Then, in a circular motion, wipe the spots off of the trucks to make them disappear.



Excavators: Let the vehicles cool down or dip the cloth in warm water (not hot water) and wipe the vehicles to revert back to their original colors.

WARNING:

- Remember to use warm water, not hot water, to revert vehicles back to their original colors. HOT water will shorten/affect the color changing lifespan.
- Adult supervision is required when children are playing around water.
- Do not allow children to play with water near an electrical source or apparatus in order to avoid electric shock and/or electrocution.
- Do not leave items filled with water near electrical devices.

IMPORTANT INFORMATION

- Only 2 Excavator vehicles have color change feature.
- Color change and pattern effect has a lengthy but limited lifespan.
- For best results, use ice water to see the vehicle change color.
- If color change does not work properly or fades quickly, the temperature of the water is not cold enough.
- Color change temperature may vary according to weather conditions.
- Only use water on the vehicles, as other liquids may cause irreparable damage.
- Avoid submerging vehicles into water as doing so can affect sound function and damage the vehicles.
- Dry off vehicles with a dry cloth or air dry vehicles. Do not place under direct or excessive heat.
- Keep long hair and other loose objects, like shoelaces, away from the rotating tires of the vehicle.
- Do not play with car in the street or where there is vehicular traffic or in heavily traveled areas with pedestrians.
- Avoid driving the car through water, mud, etc.
- It is recommended to drive the car on hard and flat surface.

LIMITED WARRANTY

The Little Tikes Company makes fun, high quality toys. We warrant to the original purchaser that this product is free of defects in materials or workmanship for one year * from the date of purchase (dated sales receipt is required for proof of purchase). At the sole election of The Little Tikes Company, the only remedies available under this warranty will be the replacement of the defective part or replacement of the product. This warranty is valid only if the product has been assembled and maintained per the instructions. This warranty does not cover abuse, accident, cosmetic issues such as fading or scratches from normal wear, or any other cause not arising from defects in material and workmanship. *The warranty period is three (3) months for daycare or commercial purchasers.

U.S.A. and Canada: For warranty service or replacement part information, please visit our website at www.littletikes.com, call 1-800-321-0183 or write to: Consumer Service, The Little Tikes Company, 2180 Barlow Road, Hudson OH 44236, U.S.A. Some replacement parts may be available for purchase after warranty expires—contact us for details.

Outside U.S.A. and Canada: Contact place of purchase for warranty service. This warranty gives you specific legal rights, and you may also have other rights, which vary from country/state to country/state. Some countries/states do not allow the exclusion or limitation of incidental or consequential damages, so the above limitation or exclusion may not apply to you.

Please keep this manual as it contains important information.



© The Little Tikes Company, an MGA Entertainment company. LITTLE TIKES® is a trademark of Little Tikes in the U.S. and other countries. All logos, names, characters, likenesses, images, slogans, and packaging appearance are the property of Little Tikes.

Printed in China
0222-0-E/INT

Little Tikes Consumer Service
2180 Barlow Road
Hudson, Ohio 44236 U.S.A.
1-800-321-0183

MGA Entertainment UK Ltd.
50 Presley Way, Crownhill, Milton
Keynes, MK8 0ES, Bucks, UK
support@LittleTikesStore.co.uk
Tel: +0 800 521 558

MGA Entertainment (Netherlands) B.V.
Baronie 68-70, 2404 XG Alphen a/d Rijn
The Netherlands
Tel: +31 (0) 172 758038

Imported by MGA Entertainment Australia Pty Ltd
Suite 2.02, 32 Delhi Road
Macquarie Park NSW 2113
1300 059 676



www.littletikes.com
www.littletikes.co.uk
www.littletikes.com.au