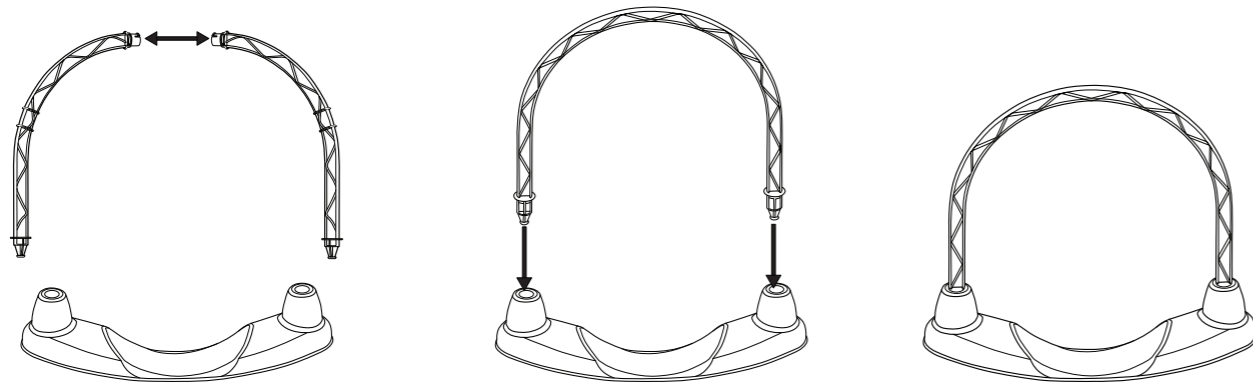
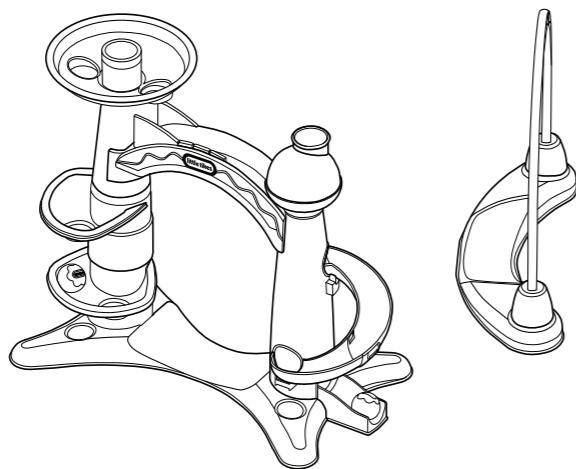


Front Base Assembly

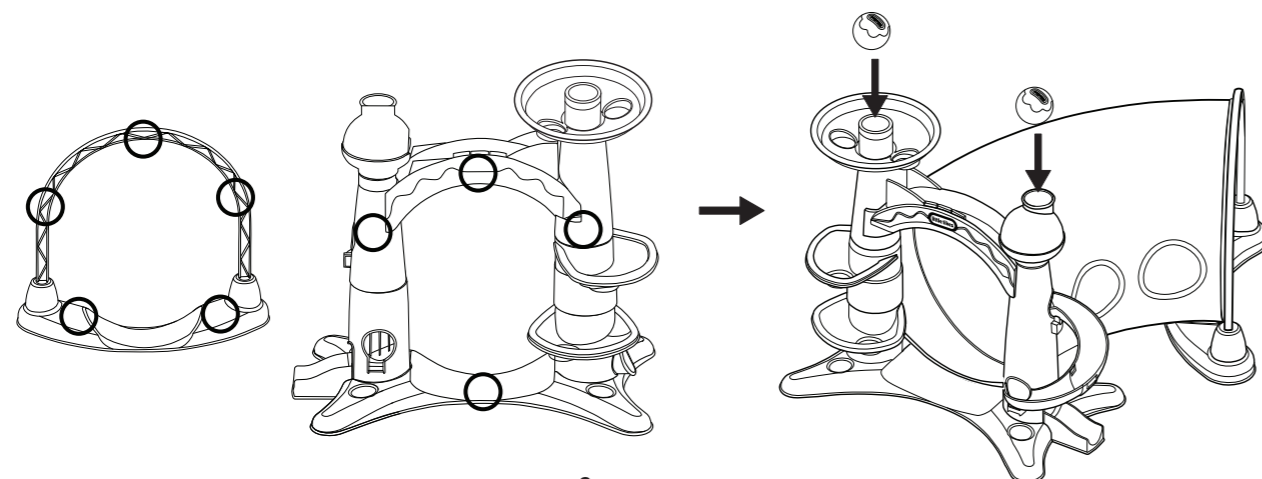
- 12** Connect both arches (14 a, b) to form a complete arch. Then, connect the bottom tips of the arch to the front base (13). Be sure to use gentle force when snapping parts into place.



- 13** Position front and back base as pictured. Fully extend tunnel to prepare for connection to both bases. The tunnel will be used to connect both bases.



- 14** Face the end of the tunnel (15) with five hook and loop fasteners towards the front base. Tie the two straps located near the sew in label to the front base. The end of the tunnel with four hook and loop fasteners should face the back base. Slide fasteners through their appropriate slots on each base located as pictured below.



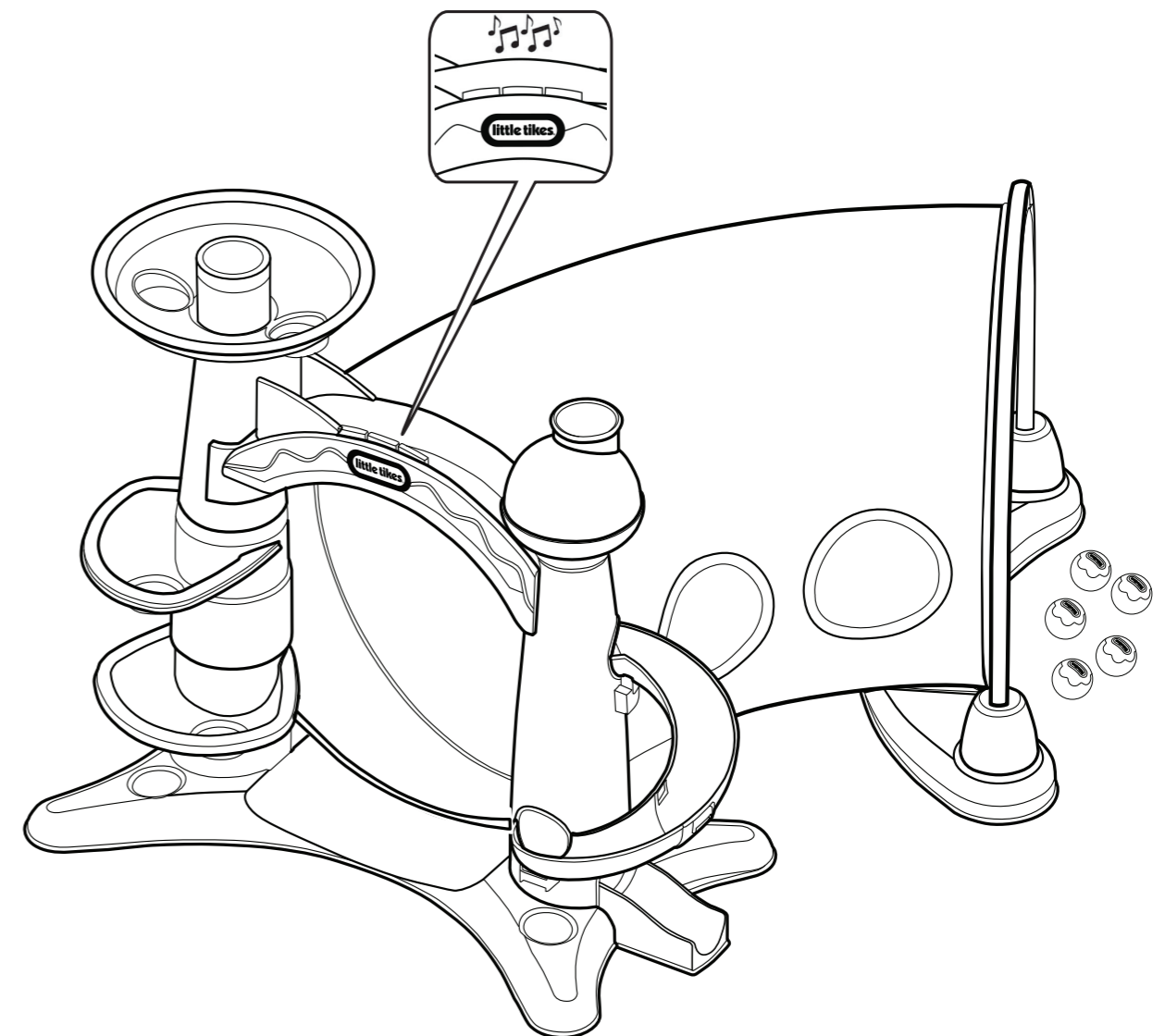
little tikes

Learn
& Play

2-in-1 Activity Tunnel

SKU: 658365

AGES 12-36 MONTHS
ADULT ASSEMBLY REQUIRED
ADULT BATTERY INSTALLATION REQUIRED



Thank you for choosing the Little Tikes® 2-in-1 Activity Tunnel.
We strive to provide a durable, easy-to-assemble toy that is made to last,
giving your child years of imaginative, engaging fun!

IMPORTANT INFORMATION YOU SHOULD KNOW!

- Read through all the instructions first.
- Clear a flat surface to lay out all the materials so that everything is close at hand.
- Illustrations are for reference only. Styles may vary from actual contents.
- Please remove all packaging including tags, ties & tacking stitches before giving this product to a child.
- **Make sure you have all contents before assembling. If anything is missing or if you have questions, we're here to help. Give our consumer service team a call at 1-800-321-0183.**

Let's be careful!

⚠ WARNING!

- **Keep away from fire. Do not place near fires or other sources of heat such as radiators, open or electric fires.**
- **KEEP ALL FLAME AND HEAT SOURCES AWAY FROM THIS TUNNEL FABRIC.**
This tunnel meets the flammability requirements of CPAI-84. The fabric may burn if left in continuous contact with any flame source. The application of any foreign substance to the tunnel fabric may render the flame-resistant properties ineffective.
- ADULT ASSEMBLY REQUIRED.
- Prior to assembly, keep away from children until assembled.
- Please keep this manual as it contains important information.
- This product is intended for indoor use only.
- This product is intended for use by children ages 12-36 months.
- Place on flat, level surfaces free of objects that could cause the tunnel to tip over.
- Place out of the way of household traffic.
- Never use near staircase, steps, pools, hot surfaces, or areas that may be hazardous to a child.
- Do not use if damaged or broken.

© The Little Tikes Company, an MGA Entertainment company. LITTLE TIKES® is a trademark of Little Tikes in the U.S. and other countries. All logos, names, characters, likenesses, images, slogans, and packaging appearance are the property of Little Tikes.

Printed in China • 0521-2-E/INT

CONSUMER SERVICE

Little Tikes Consumer Service
www.littletikes.com
2180 Barlow Road
Hudson, Ohio 44236 U.S.A.
Email: service@littletikescares.com
1-800-321-0183 Monday-Friday

MGA Entertainment UK Ltd.
www.littletikes.co.uk
50 Presley Way, Crownhill, Milton
Keynes, MK8 0ES, Bucks, UK
support@LittleTikesStore.co.uk
Tel: +0 800 521 558

MGA Entertainment (Netherlands) B.V.
Baronie 68-70
2404 XG Alphen a/d Rijn
The Netherlands
Tel: +31 (0) 172 758038

Imported by MGA Entertainment Australia Pty Ltd
www.littletikes.com.au
Suite 2.02, 32 Delhi Road
Macquarie Park NSW 2113
1300 059 676



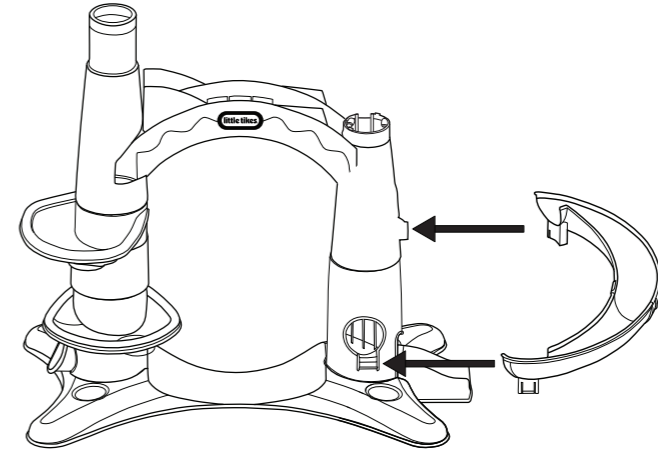
LIMITED WARRANTY

The Little Tikes Company makes fun, high quality toys. We warrant to the original purchaser that this product is free of defects in materials or workmanship for one year * from the date of purchase (dated sales receipt is required for proof of purchase). At the sole election of The Little Tikes Company, the only remedies available under this warranty will be the replacement of the defective part or replacement of the product. This warranty is valid only if the product has been assembled and maintained per the instructions. This warranty does not cover abuse, accident, cosmetic issues such as fading or scratches from normal wear, or any other cause not arising from defects in material and workmanship. *The warranty period is three (3) months for daycare or commercial purchasers.

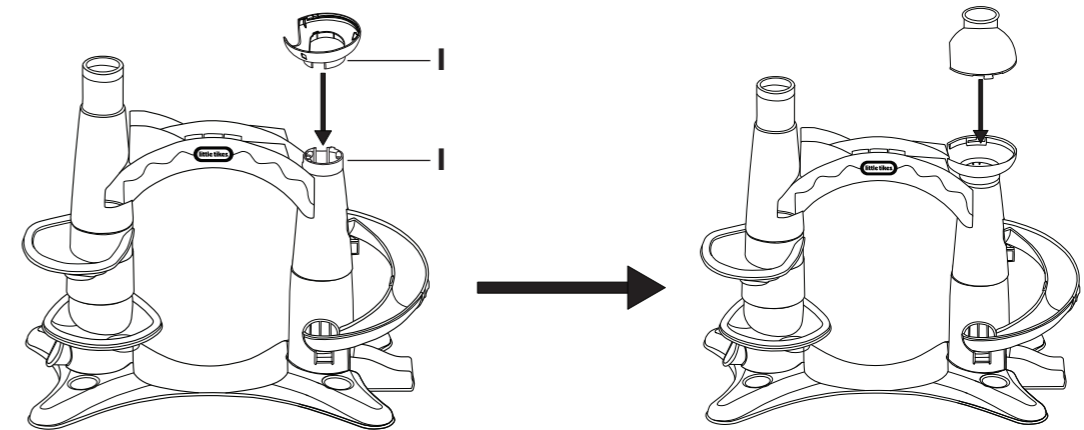
U.S.A and Canada: For warranty service or replacement part information, please visit our website at www.littletikes.com, call 1-800-321-0183 or write to: Consumer Service, The Little Tikes Company, 2180 Barlow Road, Hudson OH 44236, U.S.A. Some replacement parts may be available for purchase after warranty expires—contact us for details.

Outside U.S.A and Canada: Contact place of purchase for warranty service. This warranty gives you specific legal rights, and you may also have other rights, which vary from country/state to country/state. Some countries/states do not allow the exclusion or limitation of incidental or consequential damages, so the above limitation or exclusion may not apply to you.

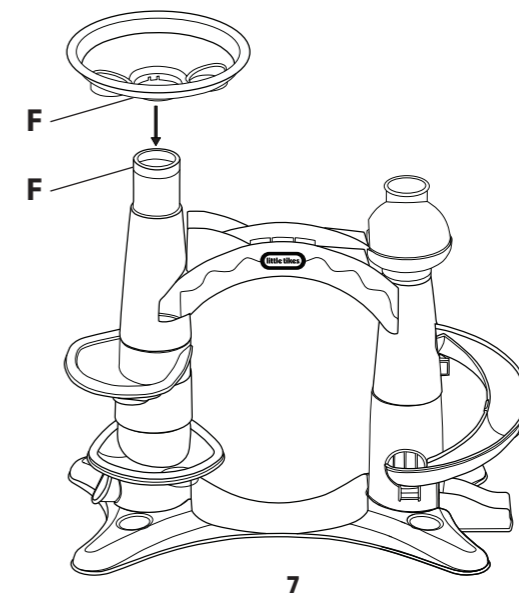
- 9** Attach spirals by placing the locks from the top and bottom ends into the right tower.



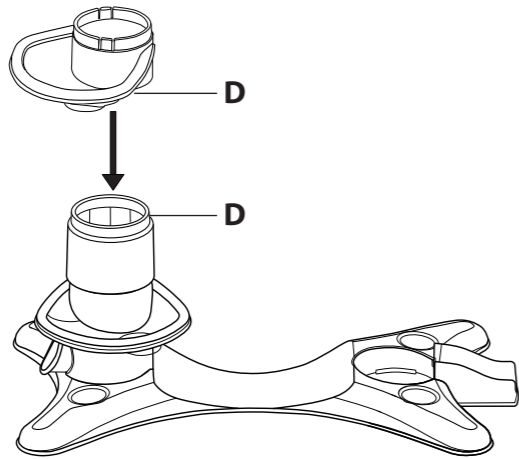
- 10** Connect the dome dish (9) to the top of the right tower, then attach the dome (10) to the top of the dish. Note: When both pieces are connected properly they will create a circular opening.



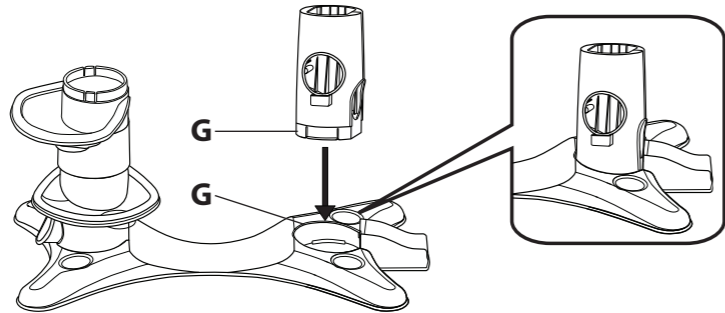
- 11** Attach the funnel (6) to the top of left tower, while lining up to the guides located on the top end of the tower and bottom of the funnel itself.



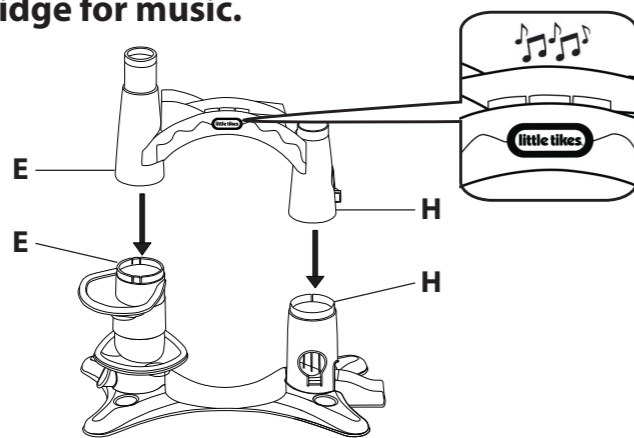
5 Connect the second tray 2 (5) to the middle tower piece. Ensuring they are properly aligned and securely connected.



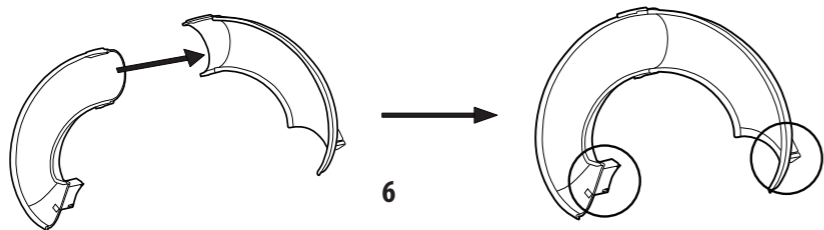
6 Attach right tower bottom (7) to the right side of the back base. Be sure to line up the opening closest to the bottom of the ramp to eliminate any obstruction or interference when play time begins.



7 Take the bridge (8) and connect it to the back base. Make sure to align all pieces properly using the rectangular guides located on the connecting ends of either pieces/parts. Music is activated by ball drops and by pressing the buttons on the bridge for music.



8 Connect both spiral pieces (12 a, b) to one another. Both pieces will snap into one another. Note: Once both pieces are connected each end will have a connector that will connect to the top and bottom of the right tower.



Battery Safety Information. This is serious!

- Keep these instructions for future reference.
 - Requires 3 "AAA" (LR03) alkaline batteries (not included). (Rechargeable batteries may be substituted.)
 - The voltage of a fully-charged, rechargeable battery is often lower than that of a fresh alkaline battery. Therefore, it is recommended that alkaline batteries be used instead of rechargeable batteries for best performance and longer play time.
 - Install batteries with the correct polarity (+ and -).
 - To avoid battery leakage:
 1. Follow the toy and battery manufacturer's installation instructions.
 2. Do not mix old and new batteries.
 3. Do not mix standard (carbon-zinc), alkaline or rechargeable batteries. Do not mix different brands of batteries. Only batteries of the same or equivalent type as recommended are to be used.
 4. When toy is not used for an extended period of time, remove batteries to prevent possible leakage and damage to the unit.
 5. Remove dead or exhausted batteries from product.
 6. Dispose of dead batteries properly; do not bury. Do not dispose of batteries in fire as they may leak or explode.
 - Make sure cover is properly installed on unit at all times.
 - Do not attempt to recharge non-rechargeable batteries.
 - Rechargeable batteries are to be removed from the toy before recharging.
 - Charging of rechargeable batteries should be done by an adult.
 - The supply terminals are not to be short circuited.
- NOTE:** If the unit stops working or doesn't work as it should, remove the batteries for a few minutes and then re-insert them. If there is still a problem, install new batteries

FCC COMPLIANCE

NOTE: This equipment has been tested and found to comply with the limits for a Class B digital device, pursuant to Part 15 of the FCC Rules. These limits are designed to provide reasonable protection against harmful interference in a residential installation. This equipment generates, uses and can radiate radio frequency energy and, if not installed and used in accordance with the instructions, may cause harmful interference to radio communications. However, there is no guarantee that interference will not occur in a particular installation. If this equipment does cause harmful interference to radio or television reception, which can be determined by turning the equipment off and on, the user is encouraged to try to correct the interference by one or more of the following measures:

- Reorient or relocate the receiving antenna.
- Increase the separation between the equipment and receiver.
- Connect the equipment into an outlet on a circuit different from that to which the receiver is connected.
- Consult the dealer or an experienced radio/TV technician for help.

This device complies with Part 15 of the FCC Rules. Operation is subject to the following two conditions: (1) This device may not cause harmful interference, and (2) this device must accept any interference received, including interference that may cause undesired operation.

Caution: Modifications not authorized by the manufacturer may void users authority to operate this device.

This device contains licence-exempt transmitter(s)/receiver(s) that comply with Innovation, Science and Economic

Development Canada's licence-exempt RSS(s). Operation is subject to the following two conditions: (1)

This device may not cause interference. (2) This device must accept any interference, including interference that may cause undesired operation of the device.

CAN ICES-3 (B)/NMB-3(B).



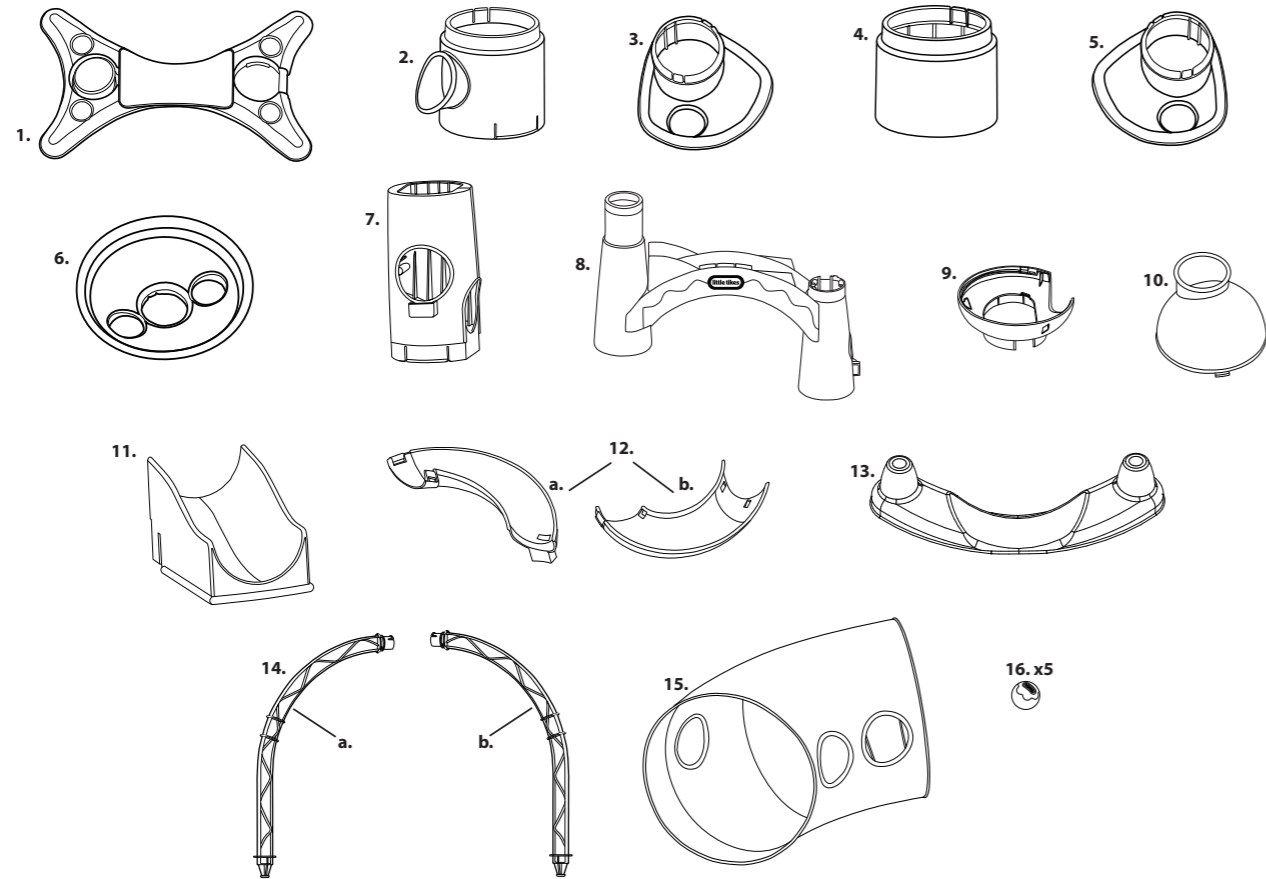
'Let's care for the environment!'

The wheelie bin symbol indicates that the product must not be disposed of with other household waste. Please use designated collection points or recycling facilities when disposing of the item. Do not treat old batteries as household waste. Take them to a designated recycling facility.

CONTENTS

- | | | |
|----------------------|---------------------------------|-----------------------|
| 1. Back Base | 6. Funnel | 12. Spiral Ramps (2) |
| 2. Left Tower Bottom | 7. Right Tower Bottom | 13. Front Base |
| 3. Tray 1 | 8. Bridge (Battery Compartment) | 14. Arch (2) |
| 4. Middle Tower | 9. Dome Dish | 15. Tunnel |
| 5. Tray 2 | 10. Dome | 16. Plastic Balls (5) |
| | 11. Ramp | |

NOTE: Lettering printed on actual parts are designed to assist with aligning parts to ensure stable and proper placement.

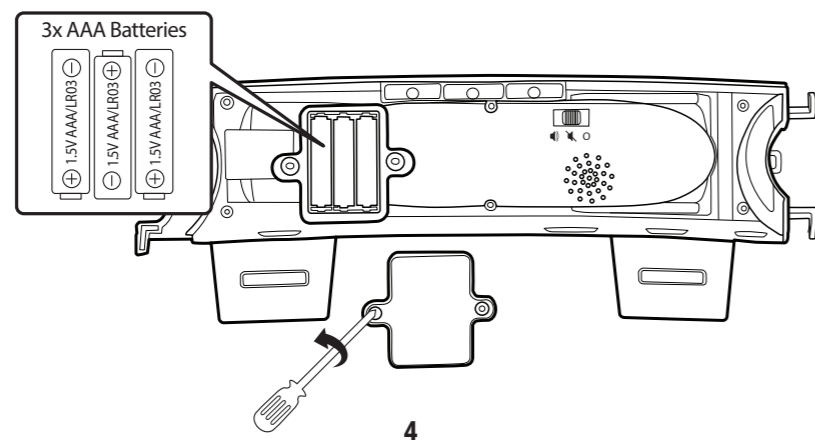


Illustrations are for reference only. Styles may vary from actual contents.
Please remove all packaging including tags, ties & tacking stitches before giving this product to a child.

Before you begin, install the batteries!

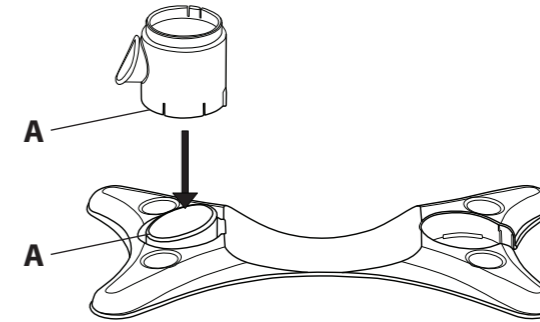
Before beginning, an adult must install fresh alkaline batteries. Here's how:

- Using a Phillips screwdriver (not included), remove the screws and battery compartment cover located under the bridge (8).
- Install three (3) fresh 1.5V AAA (LR03) alkaline batteries (not included) making sure the (+) and (-) ends face the proper direction as indicated inside the battery compartment.
- Replace the compartment cover and tighten the screws.

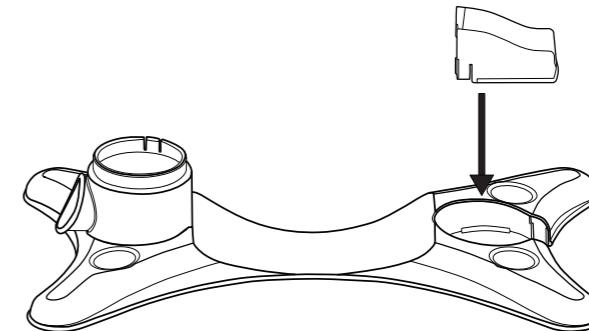


Back Base Assembly

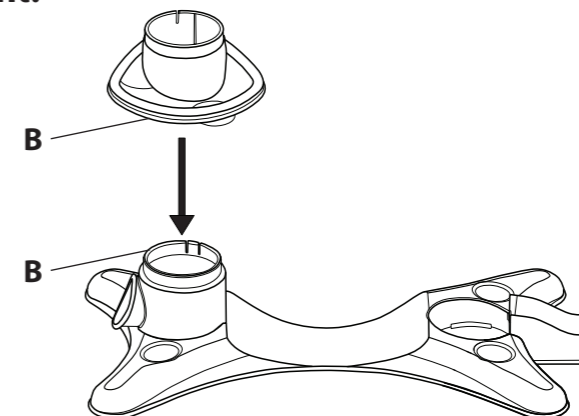
- 1** To begin assembly, lay back base (1) on flat surface as pictured. Connect the left tower bottom (2) to the left side of the back base.



- 2** Connect ramp (11) to the right side of the back base. **Note:** The bottom of the ramp should be pushed down firmly to ensure it is fully connected.



- 3** Take tray 1 (3) and connect it to the left tower bottom. **Note:** Locate and match up rectangular cut out on both pieces to ensure proper alignment.



- 4** Attach the middle tower (4) to the tray in a stacking manner. Ensuring they are properly aligned and firmly connected.

